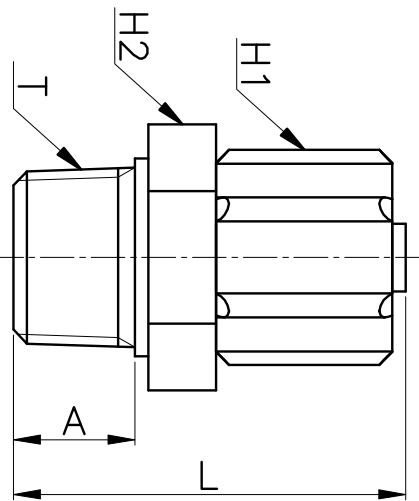
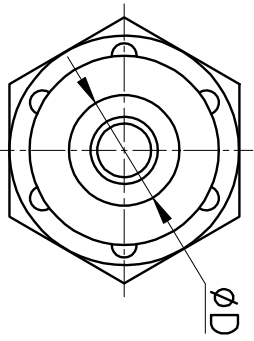
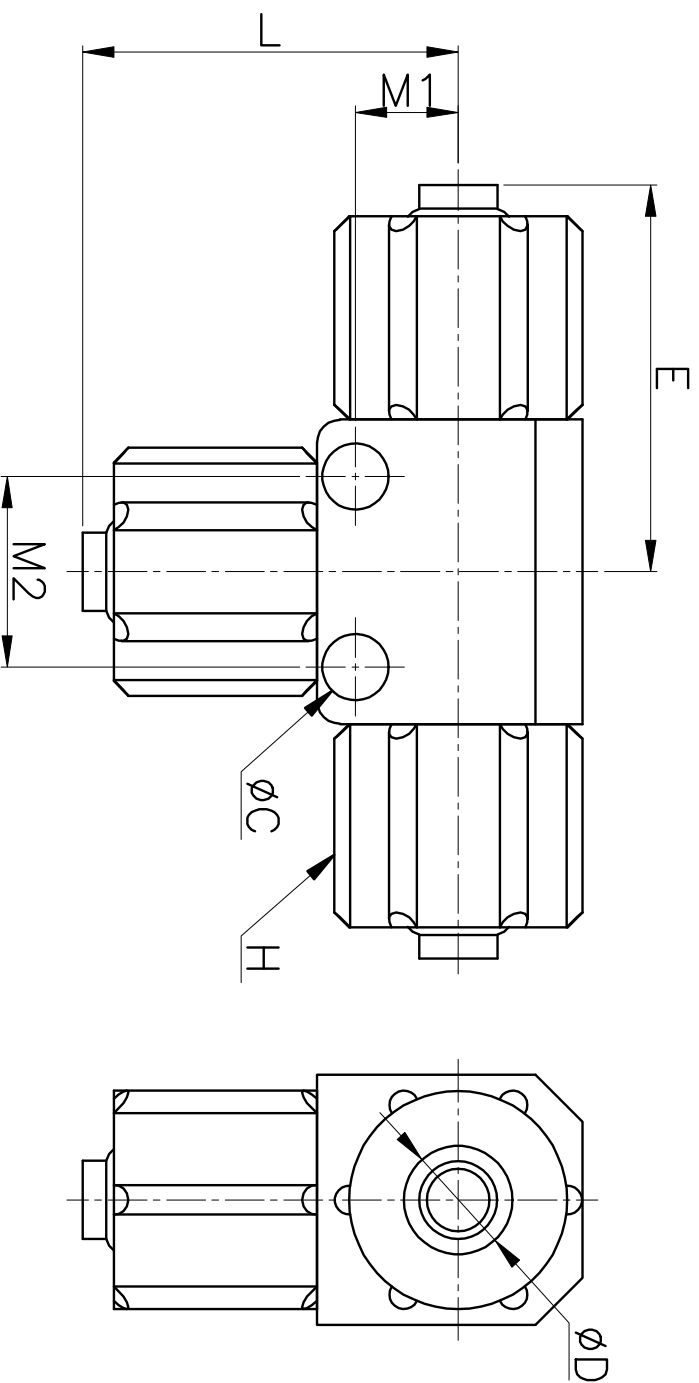


CK



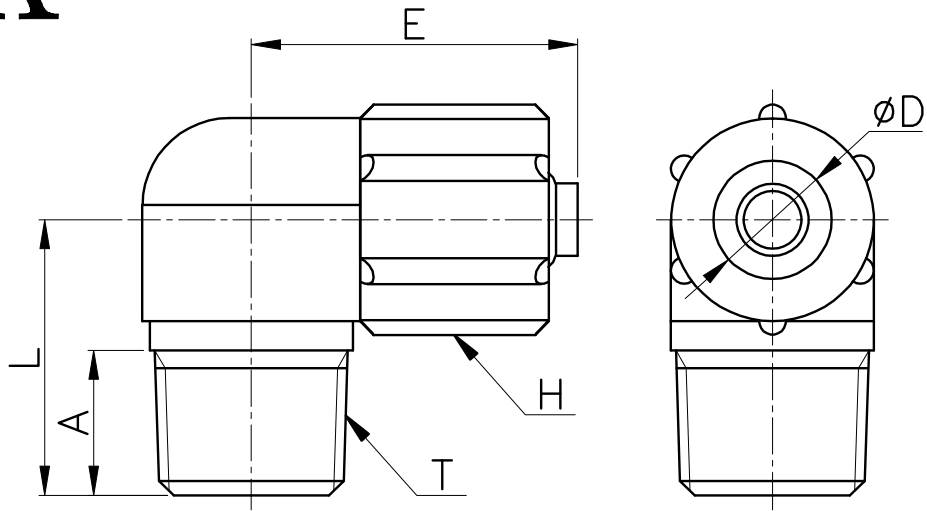
MODEL	ϕD	T	L	A	H1 (Hex)	H2 (Hex)	WEIGHT (g)	BOX(EA)
CK 04-01	4	R 1/8	24.5	8.0	10	12	2.0	100
CK 06-01	6	R 1/8	28.5	7.0	12	13	3.0	100
CK 06-02		R 1/4	30.5	9.0		15	4.0	100
CK 08-01	8	R 1/8	30.0	9.0	14	14	5.0	100
CK 08-02		R 1/4	29.0	9.0		17	5.0	100
CK 08-03		R 3/8	31.7	10.2		19	6.0	100
CK 10-02	10	R 1/4	33.4	9.2	17	17	7.0	100
CK 10-03		R 3/8	34.9	10.2		19	7.0	50
CK 12-02	12	R 1/4	39.0	9.2	19	17	9.0	50
CK 12-03		R 3/8	41.2	10.2		19	9.0	50
CK 12-04		R 1/2	45.0	15.0		22	13.0	25

FCK



MODEL	ØD	L	E	ØC	M1	M2	H ^H (Hex)	WEIGHT (g)	BOX(EA)
FCK 04	4	19.0	18.0	2.5	5.7	9.5	10	4.0	100
FCK 06	6	24.3	24.2	4.3	5.7	11.2	12	11.0	50
FCK 08	8	24.1	24.8	4.3	6.6	12.2	14	14.0	50
FCK 10	10	30.0	27.0	4.3	8.3	13.4	17	24.0	25
FCK 12	12	36.9	34.0	4.3	9.3	13.7	19	26.0	20

GCK



MODEL	ØD	T	L	E	A	H (Hex)	WEIGHT (g)	BOX(EA)
GCK 04-01	4	R 1/8	16.5	16.0	8.0	12	3.0	100
GCK 06-01	6	R 1/8	18.0	21.5	8.5	12	5.0	100
GCK 06-02		R 1/4	18.7	23.5	9.0		7.0	100
GCK 08-01	8	R 1/8	17.0	21.0	8.0	14	6.0	100
GCK 08-02		R 1/4	19.0	22.5	10.0		8.0	100
GCK 08-03		R 3/8	20.5	23.8	10.2		10.0	50
GCK 10-02	10	R 1/4	22.0	24.1	12.0	17	10.0	50
GCK 10-03		R 3/8	23.0	27.1	12.0		12.0	50
GCK 12-02	12	R 1/4	23.0	32.2	11.0	19	14.0	50
GCK 12-03		R 3/8	25.0	32.2	12.0		16.0	50
GCK 12-04		R 1/2	28.0	34.0	15.0		19.0	25