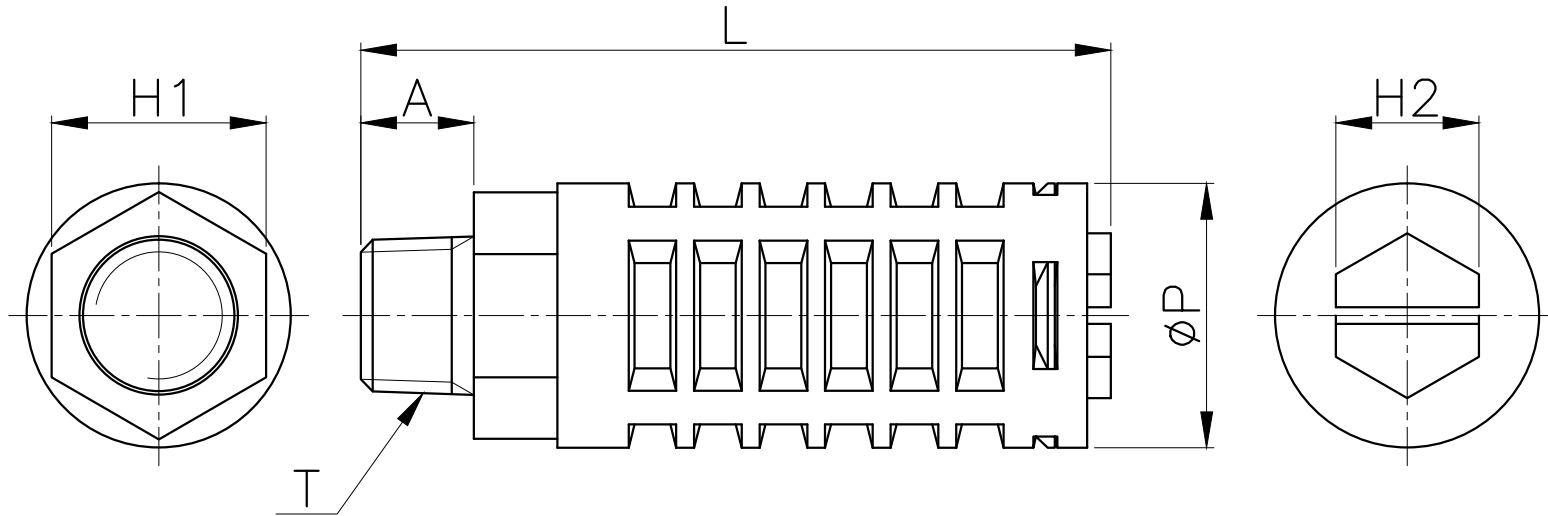
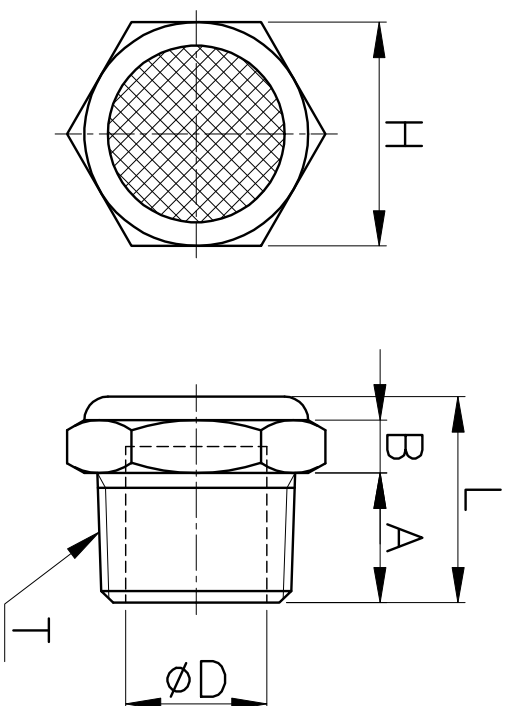


ST



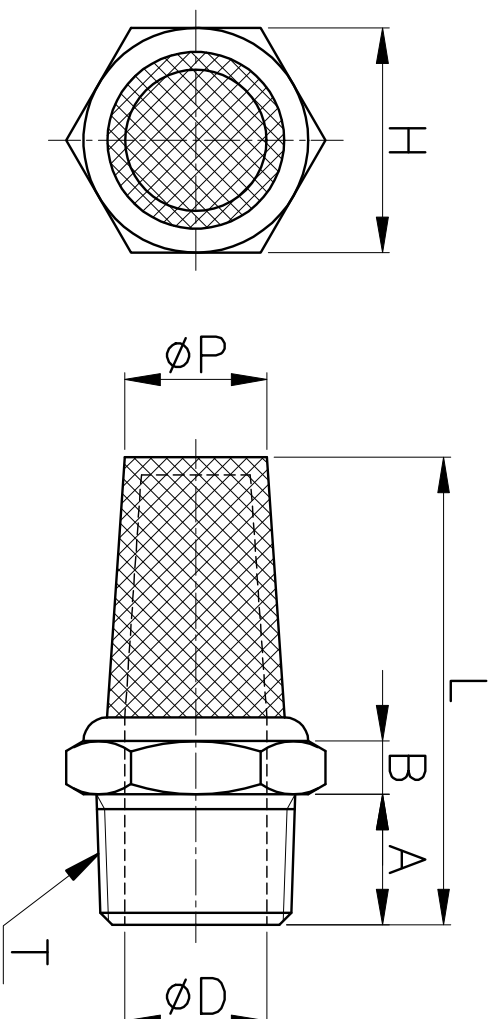
MODEL	ØP	T	L	A	H1 (Hex)	H2 (Hex)	WEIGHT (g)	BOX(EA)
ST 01	10.5	R 1/8	35.3	8.0	—	6	1.9	100
ST 02	22.2	R 1/4	63.0	9.5	18	12	14.1	30
ST 03	25.0	R 3/8	83.2	13.7	21	15	22.2	20
ST 04	30.0	R 1/2	88.0	15.5	26	19	31.1	15
ST 06	45.0	R 3/4	101.0	16.8	33	—	63.7	6
ST 08	45.0	R 1	103.5	16.8	33	—	65.4	6
STM 02	15.0	R 1/4	45.0	7.6	—	—	4.4	40

STB (Vent Type)



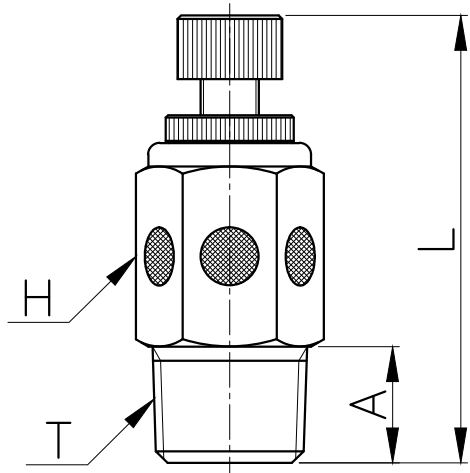
MODEL	T	L	øD	A	B	H ^H (Hex)	WEIGHT (g)	BOX(EA)
STB M5(vent)	M5*0.8p	9.0	2.5	5.0	3.0	9	2.0	100
STB 01(vent)	R 1/8	11.8	6.0	7.0	3.5	12	5.3	100
STB 02(vent)	R 1/4	15.3	8.5	9.5	4.0	15	10.5	100
STB 03(vent)	R 3/8	17.5	12.0	10.5	4.5	19	16.9	50
STB 04(vent)	R 1/2	20.3	14.5	12.0	5.5	22	28.8	50
STB 06(vent)	R 3/4	20.9	20.0	12.0	6.0	27	39.1	50
STB 08(vent)	R 1	24.8	26.0	14.5	7.0	36	80.1	25

STB



MODEL	ØP	T	L	ØD	A	B	H ^H (Hex)	WEIGHT (g)	BOX(EA)
STB M5	4.0	M5*0.8p	19.7	2.6	5.0	3.0	9	2.6	100
STB 01	8.0	R 1/8	24.8	6.0	7.0	3.5	12	6.9	100
STB 02	10.0	R 1/4	31.3	8.5	9.5	4.0	15	13.4	100
STB 03	12.0	R 3/8	39.7	12.0	10.5	4.5	19	23.4	50
STB 04	15.0	R 1/2	47.2	14.5	12.0	5.5	22	36.9	25
STB 06	19.0	R 3/4	55.8	20.0	12.0	6.0	27	54.2	20
STB 08	27.0	R 1	71.0	26.0	14.5	7.0	36	111.3	8

STC



MODEL	T	L	A	H (Hex)	WEIGHT (g)	BOX(EA)
STC 01	R 1/8	34.2	7.0	13	20.0	50
STC 02	R 1/4	38.5	9.5	14	27.5	50
STC 03	R 3/8	44.0	10.5	17	45.7	50
STC 04	R 1/2	48.5	12.0	22	69.5	25