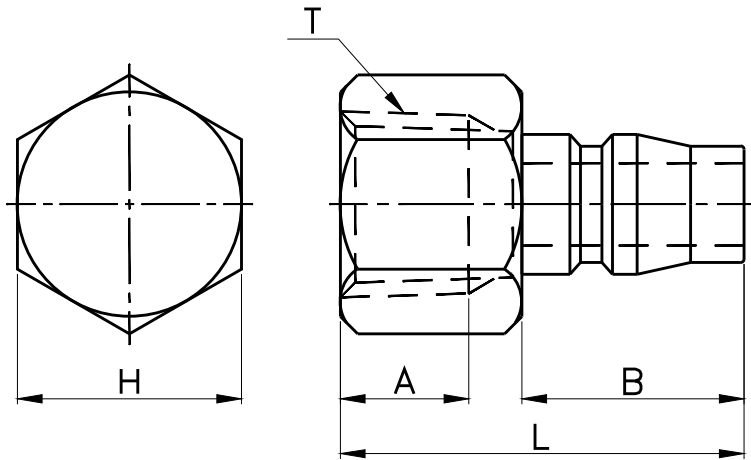
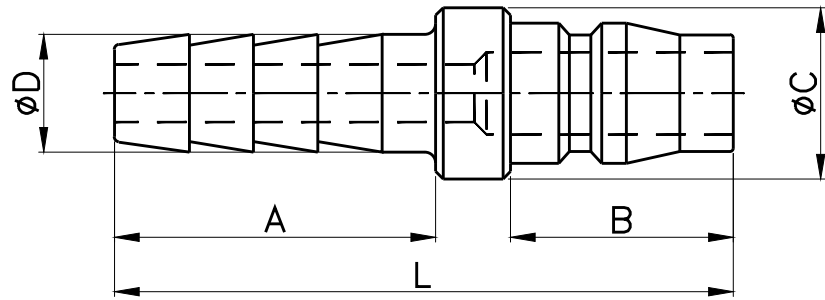


PF



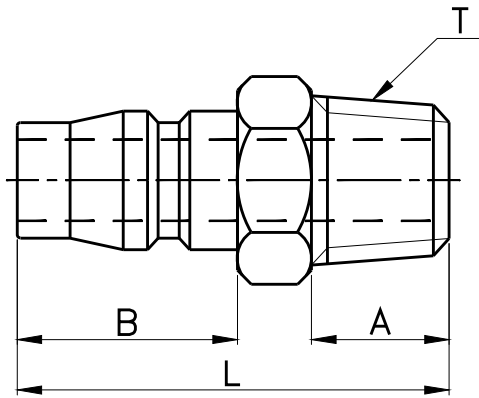
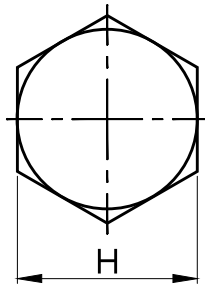
MODEL	T	L	A	B	H (Hex)	WEIGHT (g)	BOX(EA)
PF 20	R 1/4	36.5	13.5	20.5	17	26.0	100
PF 30	R 3/8	39.0	14.5		21	42.0	50
PF 40	R 1/2	40.5	15.5		25	52.0	50
PF 400	R 1/2	41.9	14.0	23.9	30	93.5	25
PF 600	R 3/4	45.9	17.0		35	129.9	20
PF 800	R 1"	54.9	22.0		41	221.0	12

PH



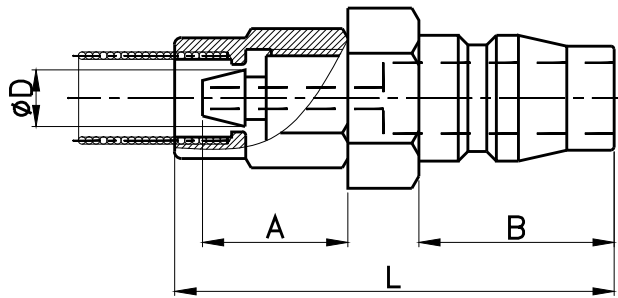
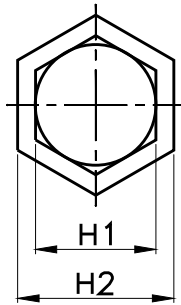
MODEL	ϕC	ϕD	L	A	B	WEIGHT (g)	BOX(EA)
PH 20	15.0	9.0	54.5	27.0	20.5	24.0	100
PH 30		11.0	56.5	29.0		29.0	100
PH 40	17.0	14.5	59.5	33.0		47.0	50
PH 400	22.0	15.0	65.9	32.0	23.9	69.0	25
PH 600	28.0	21.0	76.9	43.0		122.6	25
PH 800	32.0	27.0	80.9	47.0		156.1	12

PM



MODEL	T	L	A	B	H (Hex)	WEIGHT (g)	BOX(EA)
PM 20	R 1/4	40.0	13.5	20.5	14	23.0	100
PM 30	R 3/8	42.0	14.5		17	36.0	50
PM 40	R 1/2	42.5	15.0		21	43.0	50
PM 400	R 1/2	50.9	16.0	23.9	22	72.3	25
PM 600	R 3/4	55.9	18.0		30	128.5	25
PM 800	R 1"	61.4	23.0		35	201.4	16

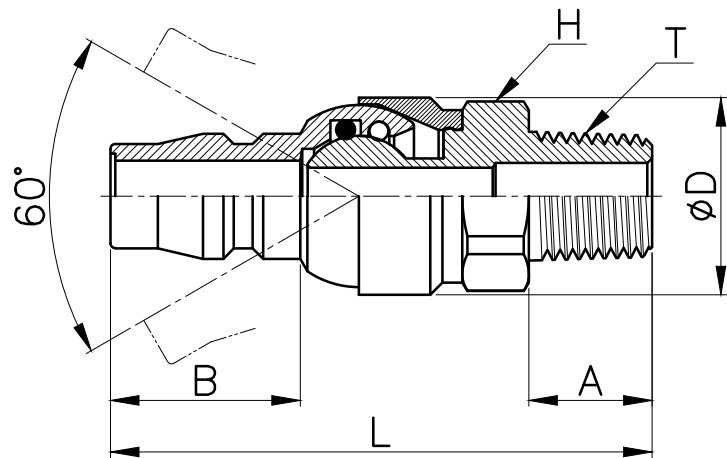
PN



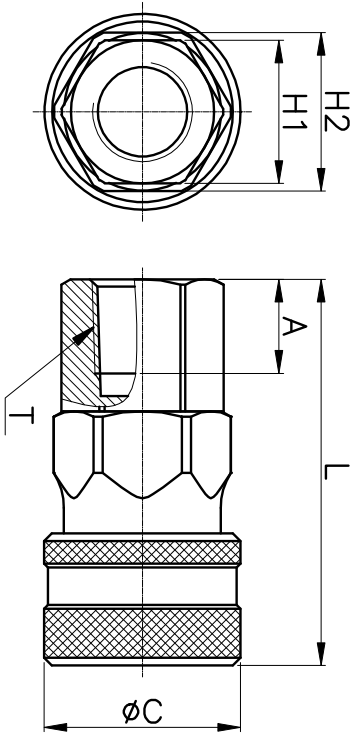
MODEL	øD	L	A	B	H1 (Hex)	H2 (Hex)	WEIGHT (g)	BOX(EA)
PN 08	6.7	43.0	14.0	20.5	14	15	34.0	50
PN 10	8.4	47.0	16.0		14	16	51.0	40
PN 12	10.2	52.0	19.0		19	19	59.0	30

RPM-S

MODEL	T	L	A	B	H (Hex)	ϕD	WEIGHT (g)
RPM 20-S	R 1/4	57.3	13.0	20.0	19	20.8	53.6

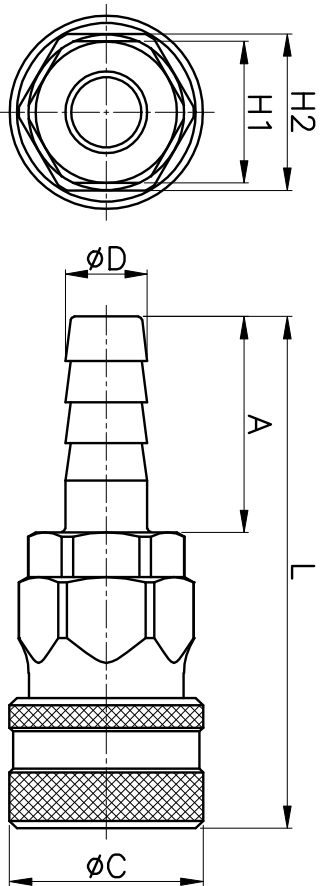


SF



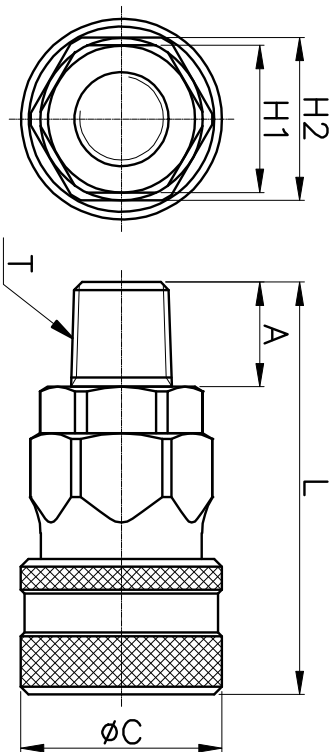
MODEL	øC	T	L	A	H1 (Hex)	H2 (Hex)	WEIGHT (g)	BOX(EA)
SF 20	26.0	Rc 1/4	52.0	15.5	19	21	105.0	25
SF 30		Rc 3/8	52.5	14.0	21		102.0	25
SF 40		Rc 1/2	54.5	17.0	25		118.0	25
SF 400	35.0	Rc 1/2	57.1	14.0	30	32	221.5	12
SF 600		Rc 3/4	61.1	16.0	35		257.4	12
SF 800		Rc 1	68.1	21.0	41		329.0	8

SH



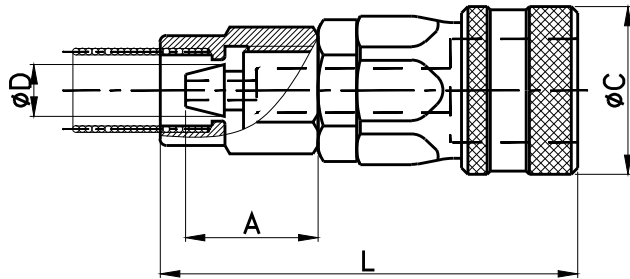
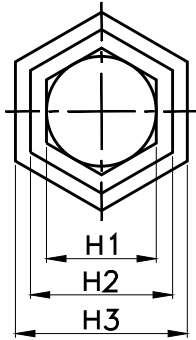
MODEL	ϕC	ϕD	L	A	H1 (Hex)	H2 (Hex)	WEIGHT (g)	BOX(EA)
SH 20	26.0	9.0	67.5	27.0	19	21	96.0	25
SH 30		11.0	69.5	29.0			99.0	25
SH 40		14.5	73.5	33.0			113.0	25
SH 400	35.0	15.0	83.1	36.0	30	32	219.0	12
SH 600		21.0	92.1	45.0			243.6	12
SH 800		27.0	102.1	55.0			312.0	12

SM



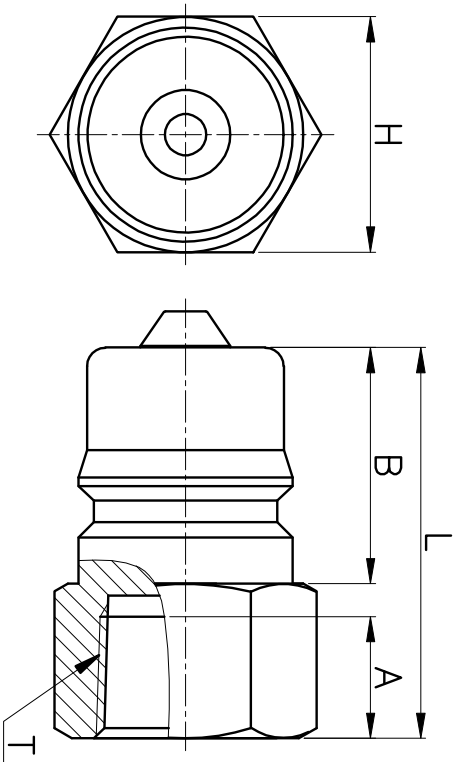
MODEL	ØC	T	L	A	H1 (Hex)	H2 (Hex)	WEIGHT (g)	BOX(EA)
SM 20	26.0	R 1/4	54.0	13.5	19	21	97.0	25
SM 30		R 3/8	55.5	14.0			98.0	25
SM 40		R 1/2	58.0	15.5	21	109.0	25	
SM 400	35.0	R 1/2	63.1	16.0	30	32	211.2	12
SM 600		R 3/4	65.1	18.0			232.4	12
SM 800		R 1	70.1	23.0	35	272.6	12	

SN



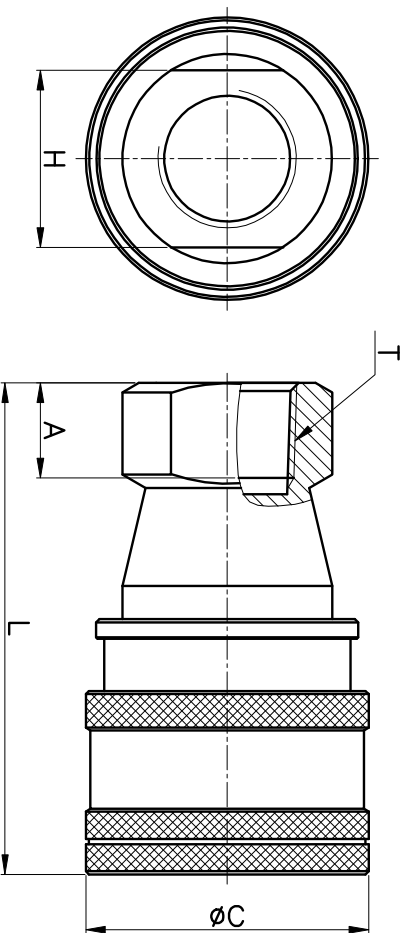
MODEL	ϕC	ϕD	L	A	H1 (Hex)	H2 (Hex)	H3 (Hex)	WEIGHT (g)	BOX(EA)
SN 08	26.0	6.7	57.5	14.0	15	19	21	94.0	25
SN 10		8.4	61.5	16.0	16			100.0	20
SN 12		10.2	66.0	19.0	19			110.0	15

SP-P



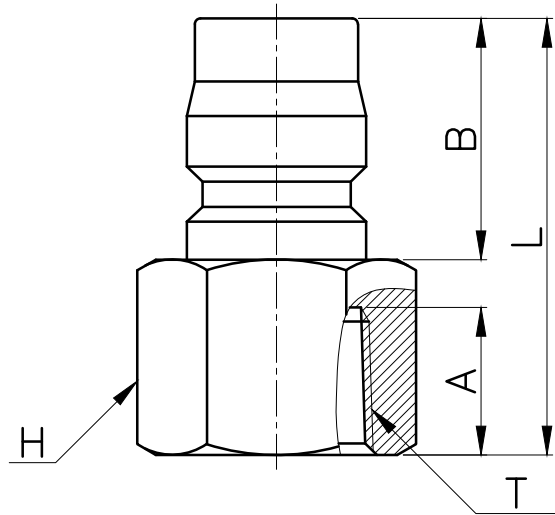
MODEL	T	L	B	A	H (Hex)	WEIGHT (g)	BOX(EA)
SP 01P	Rc 1/8	28.7	19.0	8.5	14	21.0	100
SP 02P	Rc 1/4	36.0	22.0	11.0	17	38.0	50
SP 03P	Rc 3/8	39.7	25.4	12.0	21	68.0	25
SP 04P	Rc 1/2	46.5	28.1	15.0	27	126.0	25
SP 06P	Rc 3/4	54.2	36.2	16.0	35	229.0	12
SP 08P	Rc 1	64.0	40.5	20.0	41	348.0	6

SP-S



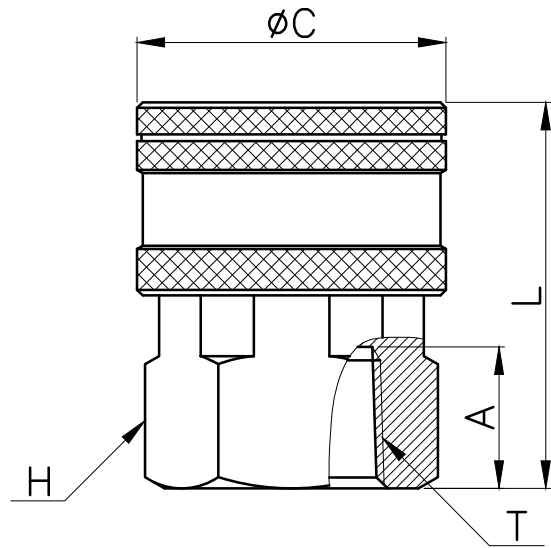
MODEL	øC	T	L	A	H (Hex)	WEIGHT (g)	BOX(EA)
SP 01S	24.0	Rc 1/8	47.9	8.5	2Hex14 x ø18	90.0	25
SP 02S	28.0	Rc 1/4	58.2	11.0	2Hex19 x ø22	141.0	25
SP 03S	34.8	Rc 3/8	64.9	12.0	2Hex22 x ø26	223.0	15
SP 04S	43.2	Rc 1/2	75.0	15.0	2Hex27 x ø32	408.0	8
SP 06S	53.3	Rc 3/4	90.4	16.0	2Hex33 x ø40	685.0	5
SP 08S	62.4	Rc 1	105.1	20.0	2Hex41 x ø48	1062.0	2

TSP-TP



MODEL	T	L	B	A	H (Hex)	WEIGHT (g)	BOX(EA)
TSP 01TP	Rc 1/8	26.0	15.5	8.5	14	15.0	100
TSP 02TP	Rc 1/4	34.0	18.0	11.0	17	30.6	50
TSP 03TP	Rc 3/8	38.0	21.0	12.0	21	47.1	25
TSP 04TP	Rc 1/2	45.0	24.0	15.0	29	113.6	25
TSP 06TP	Rc 3/4	51.0	28.0	16.0	35	—	—
TSP 08TP	Rc 1	60.0	36.0	20.0	41	—	—

TSP-TS



MODEL	ϕC	T	L	A	H (Hex)	WEIGHT (g)	BOX(EA)
TSP 01TS	17.5	Rc 1/8	27.0	8.5	14	26.9	50
TSP 02TS	24.0	Rc 1/4	32.0	11.0	19	61.4	25
TSP 03TS	28.0	Rc 3/8	35.0	12.0	23	89.0	25
TSP 04TS	35.0	Rc 1/2	42.0	15.0	29	162.8	15
TSP 06TS	45.0	Rc 3/4	48.0	16.0	38	—	—
TSP 08TS	58.0	Rc 1	59.0	20.0	50	—	—