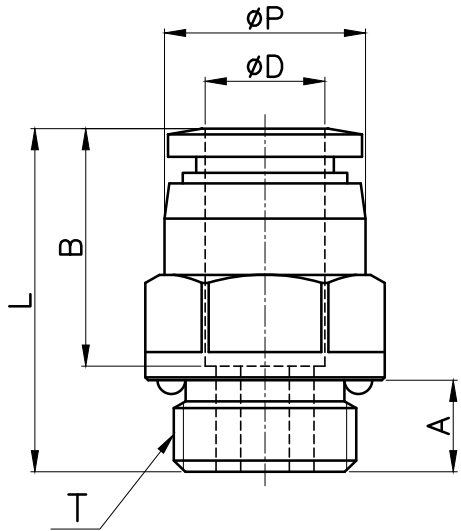
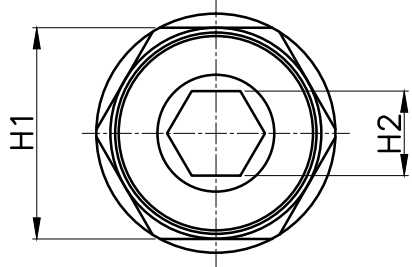
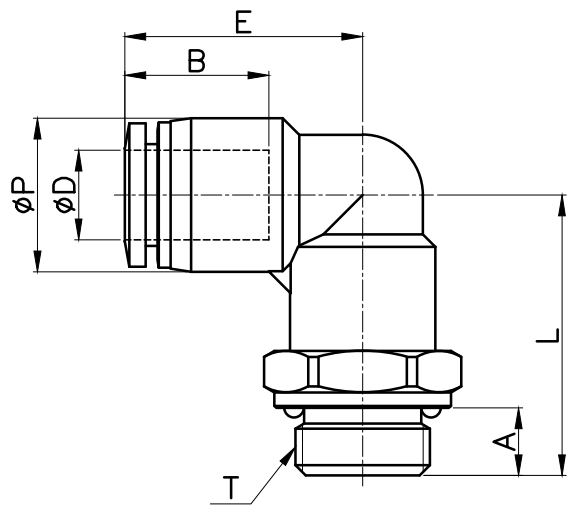
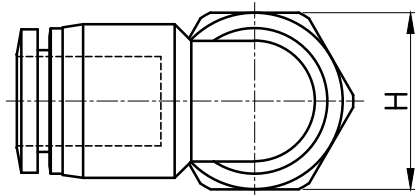


PC-M



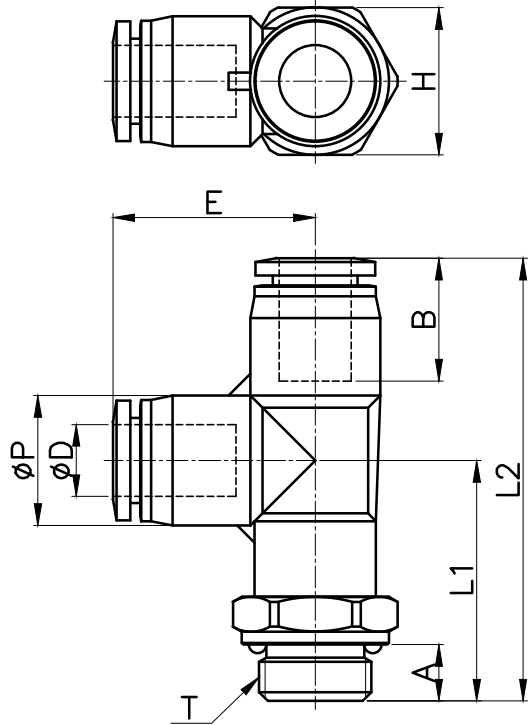
MODEL	ϕD	ϕP	T	L	A	B	H1 (Hex)	H2 (Hex)	ORIFICE	WEIGHT (g)	BOX(EA)
PC 06-M12	6	12.3	M12*1.5p	24.7	8.0	14.8	15	5	5.0	16.0	100
PC 06-M14			M14*1.5p	24.7			17			22.1	100
PC 06-M16			M16*1.5p	24.7			17			25.6	100
PC 06-M22			M22*1.5p	24.7			21			46.7	50
PC 08-M12	8	14.3	M12*1.5p	26.0	8.0	18.4	15	6	6.0	14.2	100
PC 08-M14			M14*1.5p	26.0			17			21.2	100
PC 08-M16			M16*1.5p	25.0			17			22.0	100
PC 08-M22			M22*1.5p	24.0			21			40.2	50
PC 10-M12	10	16.5	M12*1.5p	31.0	8.0	19.7	17	6	6.0	22.5	100
PC 10-M14			M14*1.5p	31.0			17			24.4	100
PC 10-M16			M16*1.5p	27.0			17	20.0	100		
PC 10-M22			M22*1.5p	26.0			21	38.7	50		
PC 12-M12	12	19.0	M12*1.5p	33.9	8.0	21.9	19	6	6.0	28.1	50
PC 12-M14			M14*1.5p	33.4			19			30.0	50
PC 12-M16			M16*1.5p	33.4			19	31.5	50		
PC 12-M22			M22*1.5p	28.9			21	37.5	50		

PL-M



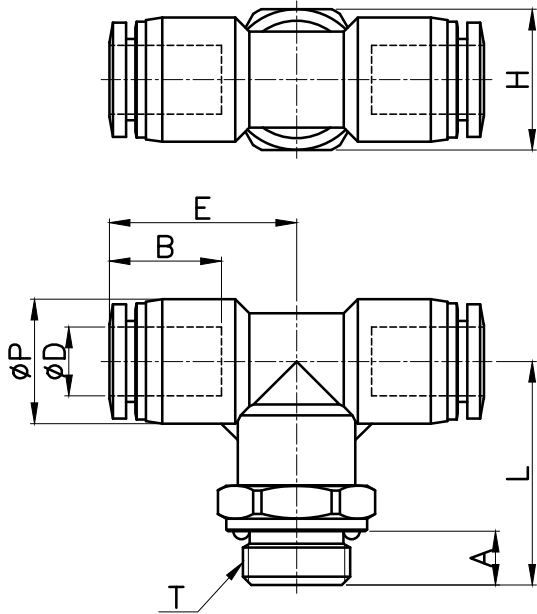
MODEL	øD	øP	T	L	E	A	B	H (Hex)	ORIFICE	WEIGHT (g)	BOX(EA)
PL 06-M12	6	12.5	M12*1.5p	27.5	20.3	8.0	16.4	17	4.0	19.1	100
PL 06-M14			M14*1.5p	27.5				19		23.9	100
PL 06-M16			M16*1.5p	26.5				20		20.9	100
PL 06-M22			M22*1.5p	26.5				24		32.6	50
PL 08-M12	8	14.8	M12*1.5p	29.0	23.0	8.0	18.3	17	6.0	22.4	50
PL 08-M14			M14*1.5p	29.0				19		25.7	50
PL 08-M16			M16*1.5p	28.0				20		24.0	50
PL 08-M22			M22*1.5p	28.0				24		34.3	50
PL 10-M12	10	17.5	M12*1.5p	29.5	24.8	8.0	20.2	17	7.0	23.0	50
PL 10-M14			M14*1.5p	29.5				19	28.1	50	
PL 10-M16			M16*1.5p	28.5				20	26.7	50	
PL 10-M22			M22*1.5p	28.5				24	37.4	25	
PL 12-M12	12	20.5	M12*1.5p	32.4	28.9	8.0	22.9	19	7.0	33.5	25
PL 12-M14			M14*1.5p	32.4				20	38.6	25	
PL 12-M16			M16*1.5p	31.4				20	33.4	25	
PL 12-M22			M22*1.5p	31.4				24	48.2	25	

PST-M



MODEL	ϕD	ϕP	T	L1	L2	E	A	B	H (Hex)	ORIFICE	WEIGHT (g)	BOX(EA)
PST 06-M12	6	13.0	M12*1.5p	28.0	49.4	21.4	8.0	16.4	17	4.0	22.0	50
PST 06-M14			M14*1.5p	28.0	49.4				19		26.8	50
PST 06-M16			M16*1.5p	27.0	48.4				20		23.8	50
PST 06-M22			M22*1.5p	27.0	48.4				24		35.3	25
PST 08-M12	8	15.0	M12*1.5p	29.8	53.2	23.5	8.0	18.3	17	6.0	26.2	50
PST 08-M14			M14*1.5p	29.8	53.2				19		29.4	50
PST 08-M16			M16*1.5p	28.8	52.2				20		27.6	50
PST 08-M22			M22*1.5p	28.8	52.2				24		44.9	25
PST 10-M12	10	18.0	M12*1.5p	31.0	56.9	25.9	8.0	20.2	17	7.0	28.7	25
PST 10-M14			M14*1.5p	31.0	56.9				19	33.8	25	
PST 10-M16			M16*1.5p	30.0	55.9				20	32.4	25	
PST 10-M22			M22*1.5p	30.0	55.9				24	43.1	25	
PST 12-M12	12	20.8	M12*1.5p	32.9	63.3	30.4	8.0	22.9	19	7.0	43.2	25
PST 12-M14			M14*1.5p	32.9	63.3				20	8.0	48.3	25
PST 12-M16			M16*1.5p	31.9	62.3				20	10.0	42.3	25
PST 12-M22			M22*1.5p	31.9	62.3				24	10.0	55.5	20

PT-M



MODEL	øD	øP	T	L	E	A	B	H (Hex)	ORIFICE	WEIGHT (g)	BOX(EA)
PT 06-M12	6	12.5	M12*1.5p	27.5	20.3	8.0	16.4	17	4.0	21.5	50
PT 06-M14			M14*1.5p	27.5				19		26.3	50
PT 06-M16			M16*1.5p	26.5				20		23.3	50
PT 06-M22			M22*1.5p	26.5				24		34.9	25
PT 08-M12	8	15.0	M12*1.5p	29.0	22.7	8.0	18.3	17	6.0	25.2	50
PT 08-M14			M14*1.5p	29.0				19		28.7	50
PT 08-M16			M16*1.5p	28.0				20		27.2	50
PT 08-M22			M22*1.5p	28.0				24		40.9	25
PT 10-M12	10	17.5	M12*1.5p	29.5	25.3	8.0	20.2	17	8.0	28.9	25
PT 10-M14			M14*1.5p	29.5				19		32.8	25
PT 10-M16			M16*1.5p	28.5				20		31.3	25
PT 10-M22			M22*1.5p	28.5				24		42.1	25
PT 12-M12	12	20.5	M12*1.5p	32.4	28.9	8.0	22.9	19	7.0	43.8	25
PT 12-M14			M14*1.5p	32.4				20		48.9	25
PT 12-M16			M16*1.5p	31.4				20	41.5	25	
PT 12-M22			M22*1.5p	31.4				24	53.7	20	