

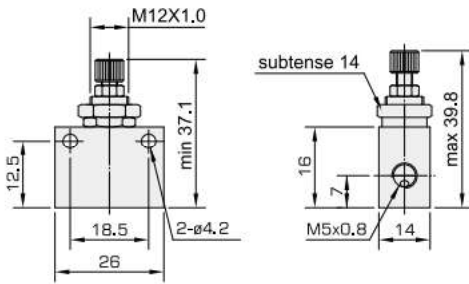


Specifications

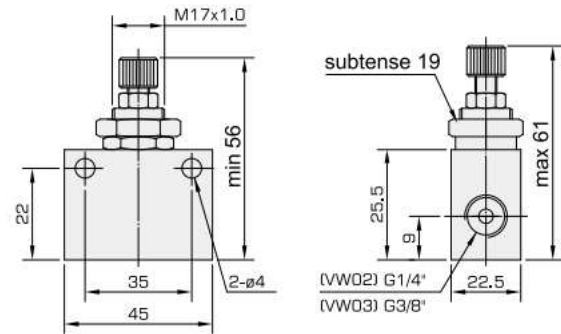
Series	VMW5	VW01	VW02	VW03	VW04
Fluid	Compressed air				
Port size	M5	G1/8"	G1/4"	G3/8"	G1/2"
Operating pressure range	0~0.99MPa(0~9.9kgf/cm ²)				
Temperature range	-10°C~+60°C				
Flow	A→B	0~45 NI/min	0~100 NI/min	0~650 NI/min	0~1000 NI/min
	B→A	55 NI/min	145 NI/min	1000 NI/min	1500 NI/min
Weight	31g	54g	111g	105g	173g

External dimensions

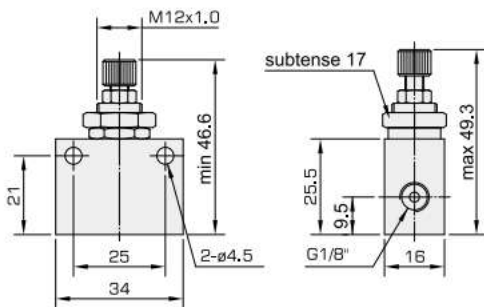
● **VWM5**



● **VW02, VW03**



● **VW01**



● **VW04**

