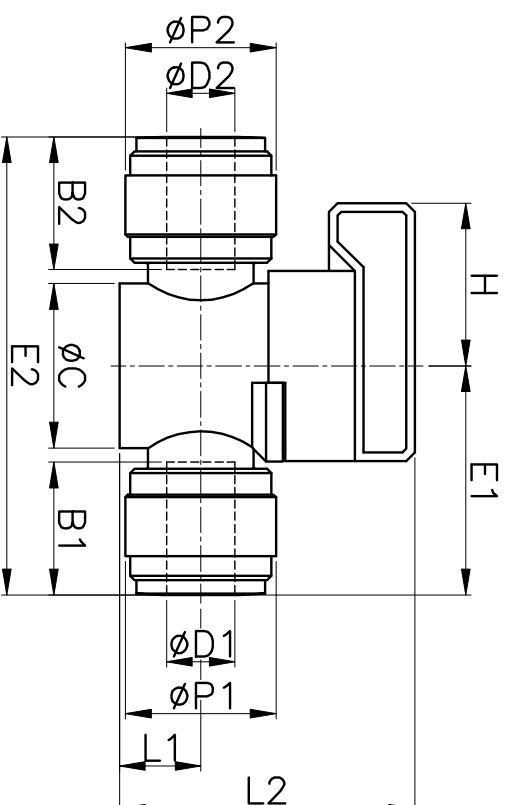
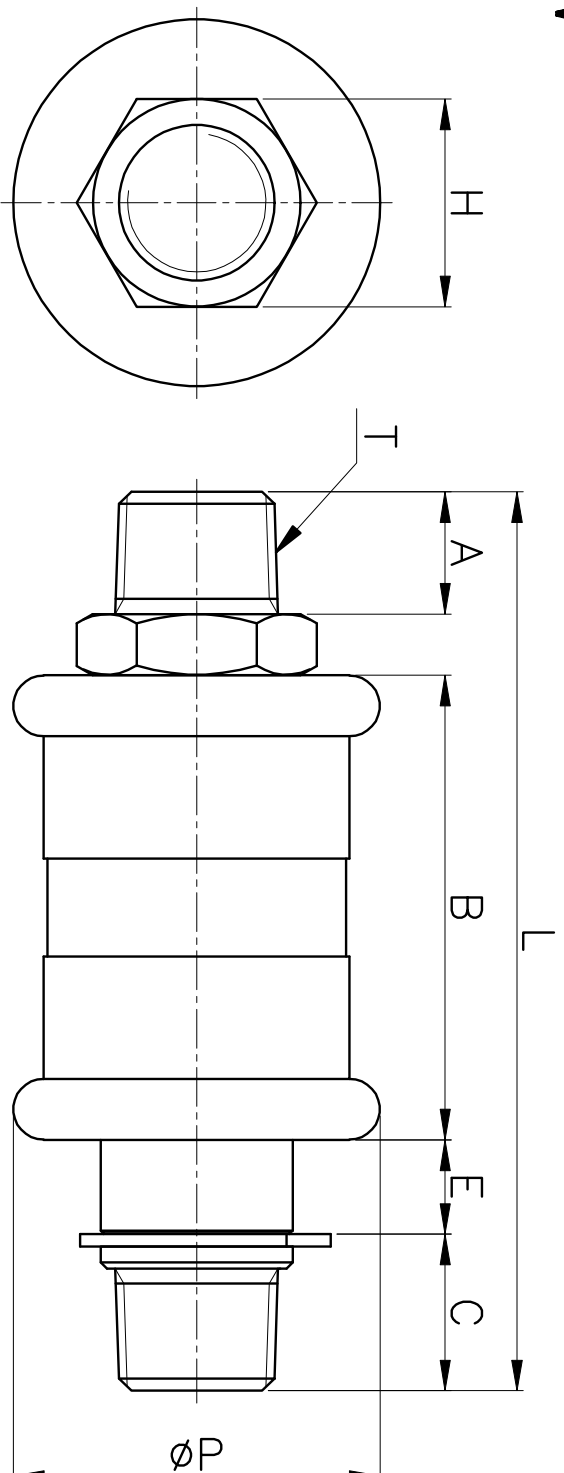


HBVU



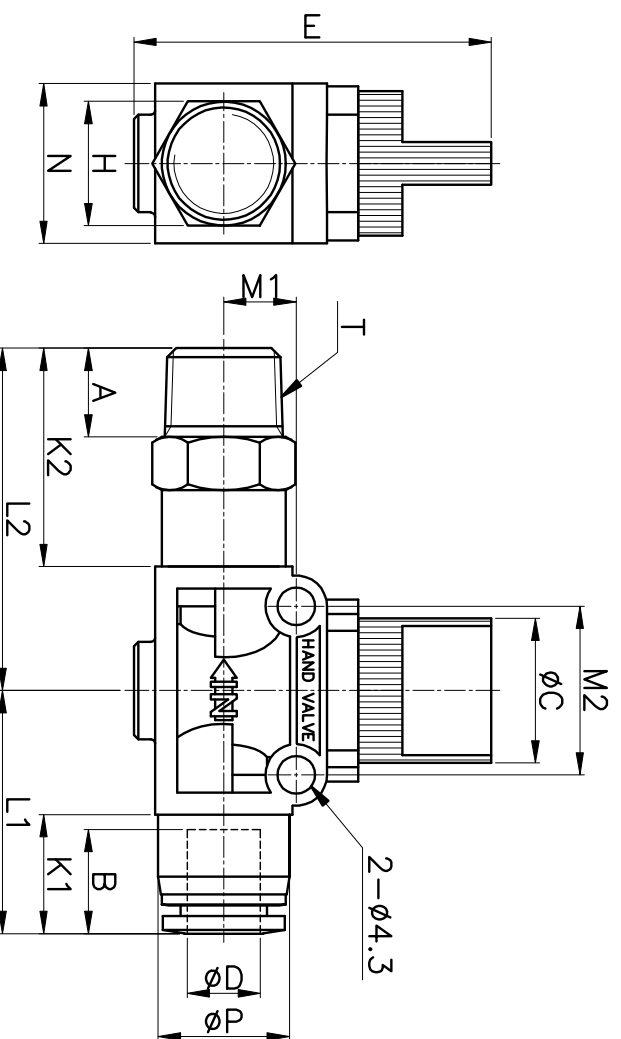
MODEL(mm)	ØD1	ØD2	B1 (TUBE DEEP)	B2 (TUBE DEEP)	ØP1	ØP2	L1	L2	E1	E2	H	ØC	WEIGHT (g)	EA (BOX)
HBVU 0606	06	06	16.1	16.1	15.5	15.5	9.5	34.5	25.9	51.7	19.0	19.2	16.0	25
HBVU 0808	08	08	17.5	17.5	17.6	17.6			26.8	53.5			17.4	25
HBVU 1010	10	10	20.1	20.1	20.0	20.0	12.5	42.3	31.5	63.0	26.3	24.2	29.0	15
HBVU 1212	12	12	23.7	23.7	23.0	23.0			35.2	70.4			35.4	15

HSV



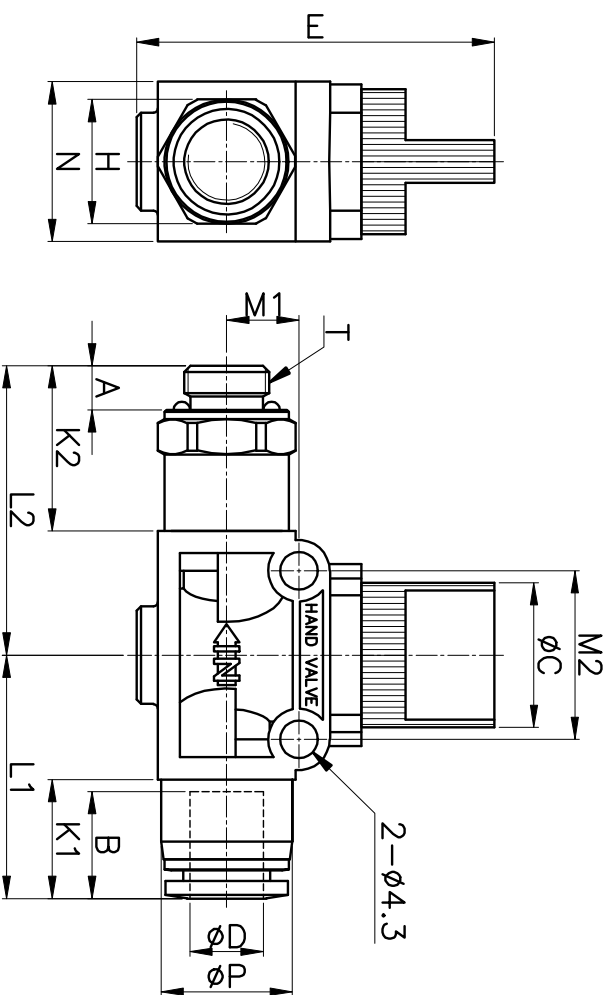
MODEL	ØP	T	L	E	C	A	B	H ^H (Hex)	ORIFICE	WEIGHT (g)	BOX(EA)
HSV M5	19.0	M5*0.8p	45.0	6.0	7.0	4.1	23.0	9	2.6	24.0	50
HSV 01	24.0	R 1/8	54.0	7.2	10.8	8.0	24.0	14	5.0	45.0	25
HSV 02	30.0	R 1/4	73.5	7.7	12.8	10.0	38.0	17	8.0	112.0	12
HSV 03	41.0	R 3/8	83.0	8.0	14.0	11.0	44.0	27	10.0	276.0	6
HSV 04	41.0	R 1/2	89.0	8.0	17.0	14.0	44.0	27	13.0	270.0	6
HSV 06	49.0	R 3/4	104.5	12.5	18.0	15.0	48.0	32	18.8	407.0	4

HVC



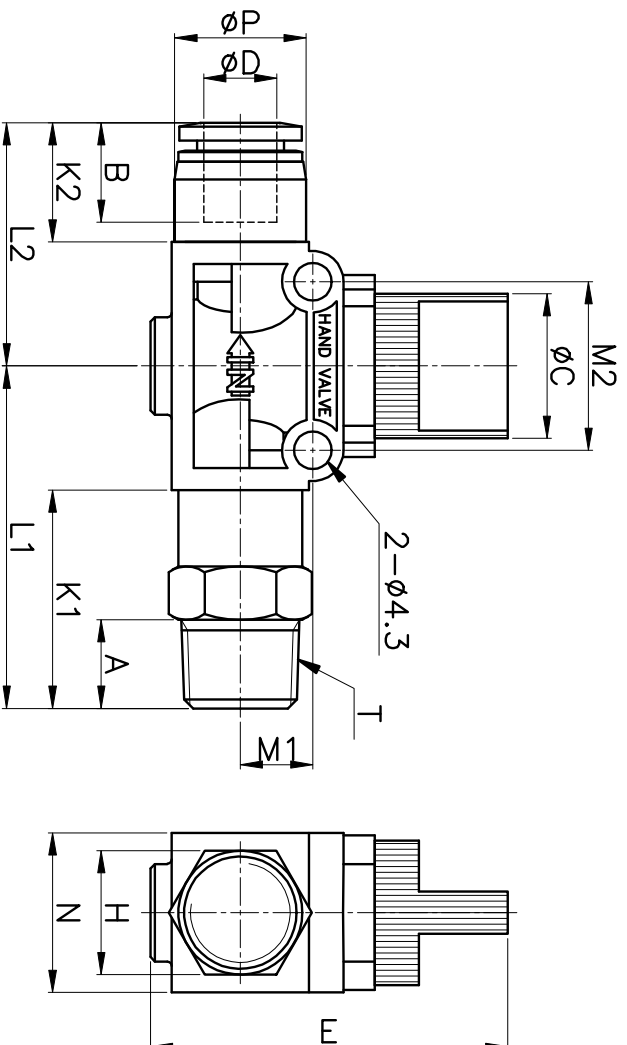
MODEL	∅D	T	∅P	H ^H (Hex)	∅C	N	E	B	A	K1	K2	L1	L2	M1	M2	WEIGHT (g)	BOX(EA)
HVC 06-01	6	R 1/8	12.5	14	16.3	18.0	40.3	16.4	8.0	12.2	21.6	26.2	35.6	8.2	19.0	37.0	25
HVC 06-02		R 1/4		14					10.0		24.6		38.6				
HVC 06-03		R 3/8		17					11.0		25.6		39.6				
HVC 08-01	8	R 1/8	14.8	14	16.3	18.0	40.3	18.3	8.0	13.4	21.6	27.4	35.6	8.2	19.0	41.0	25
HVC 08-02		R 1/4		14					10.0		24.6		38.6				
HVC 08-03		R 3/8		17					11.0		25.6		39.6				
HVC 10-02	10	R 1/4	17.5	17	19.3	21.2	40.5	20.2	10.0	14.5	23.0	31.0	39.5	10.9	24.0	58.0	20
HVC 10-03		R 3/8		17					11.0		24.0		40.5				
HVC 10-04		R 1/2		21					14.0		27.0		43.5				
HVC 12-02	12	R 1/4	20.5	19	19.3	21.2	40.5	22.9	10.0	17.6	24.6	34.1	41.1	10.9	24.0	69.0	20
HVC 12-03		R 3/8		19					11.0		25.6		42.1				
HVC 12-04		R 1/2		21					14.0		28.6		45.1				

HVC-G



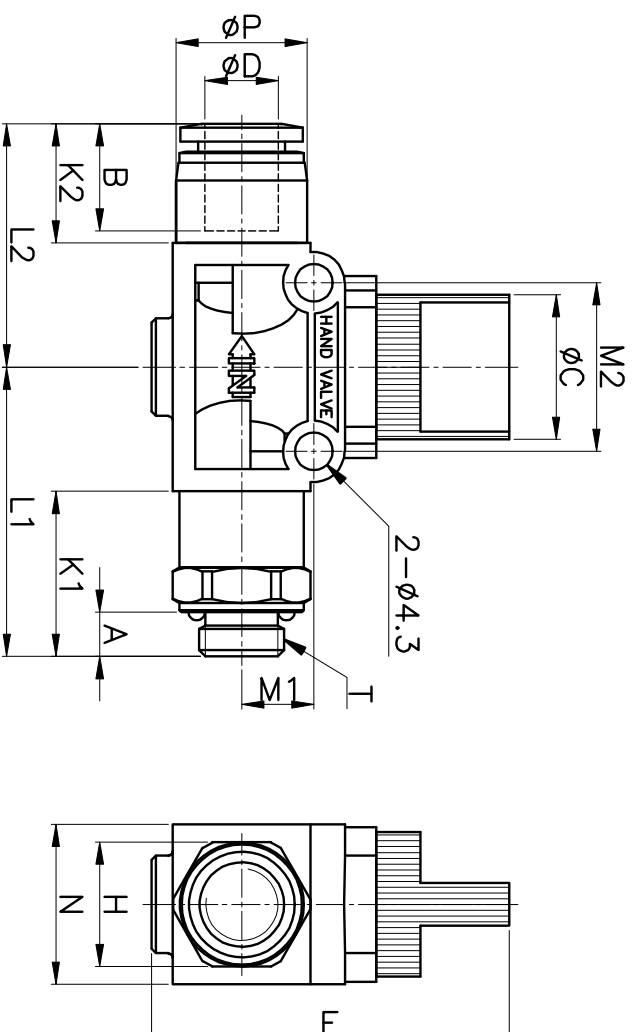
MODEL	∅D	T	∅P	H ^H (Hex)	∅C	N	E	B	A	K1	K2	L1	L2	M1	M2	WEIGHT (g)	BOX(EA)
HVC 06-G01	6	G 1/8	12.5	14	16.3	18.0	40.3	16.4	5.0	12.2	18.6	26.2	32.6	8.2	19.0	37.0	25
HVC 06-G02		G 1/4		17					6.5		20.6		34.6				
HVC 06-G03	8	G 3/8	14.8	20	16.3	18.0	40.3	18.3	6.5	13.4	20.1	27.4	34.1	8.2	19.0	47.0	25
HVC 08-G01		G 1/8		14					5.0		18.6		32.6				
HVC 08-G02	8	G 1/4	14.8	17	16.3	18.0	40.3	18.3	6.5	13.4	20.6	27.4	34.6	8.2	19.0	41.0	25
HVC 08-G03		G 3/8		20					6.5		20.1		34.1				
HVC 10-G02	10	G 1/4	17.5	17	19.3	21.2	40.5	20.2	6.5	14.5	19.0	31.0	35.5	10.9	24.0	58.0	20
HVC 10-G03		G 3/8		20					6.5		18.5		35.0				
HVC 10-G04	10	G 1/2	17.5	24	19.3	21.2	40.5	20.2	8.0	14.5	20.0	31.0	36.5	10.9	24.0	82.0	20
HVC 12-G02		G 1/4		19					6.5		20.6		37.1				
HVC 12-G03	12	G 3/8	20.5	20	19.3	21.2	40.5	22.9	6.5	17.6	20.1	34.1	36.6	10.9	24.0	68.0	20
HVC 12-G04		G 1/2		24					8.0		21.6		38.1				

HVF



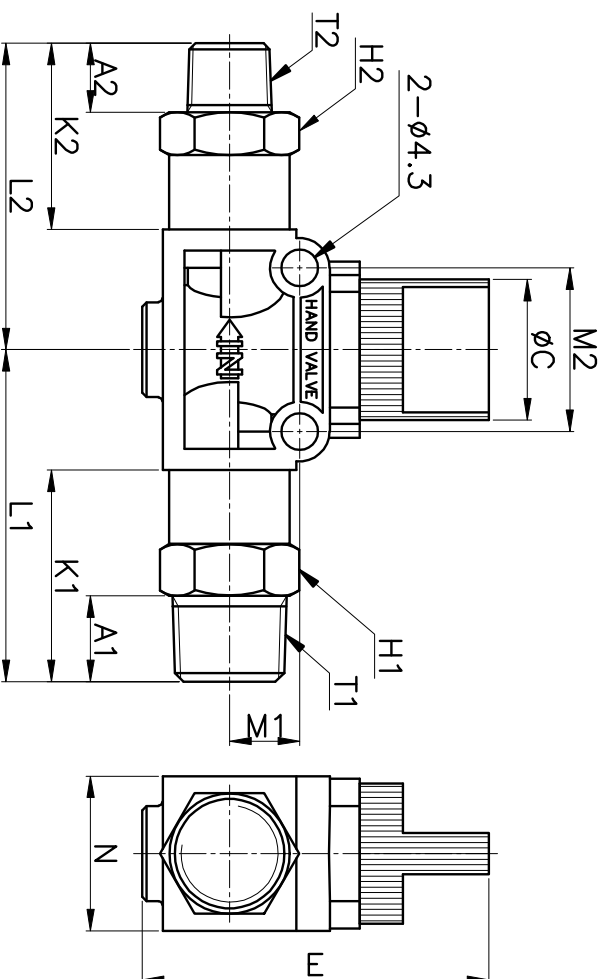
MODEL	T	∅D	H ^H (Hex)	∅P	∅C	N	E	A	B	K1	K2	L1	L2	M1	M2	WEIGHT (g)	BOX(EA)
HVF 01-06	R 1/8	6	14	12.5	16.3	18.0	40.3	8.0	16.4	21.6	12.2	35.6	26.2	8.2	19.0	37.0	25
			14					10.0		24.6		38.6					
HVF 02-06	R 1/4	8	17	14.8	16.3	18.0	40.3	11.0	18.3	25.6	13.4	39.6	27.4	8.2	19.0	47.0	25
			14					10.0		21.6		35.6					
HVF 01-08	R 1/8	8	14	14.8	16.3	18.0	40.3	8.0	18.3	21.6	13.4	35.6	27.4	8.2	19.0	35.0	25
			14					10.0		24.6		38.6					
HVF 02-08	R 1/4	8	17	14.8	16.3	18.0	40.3	11.0	18.3	25.6	13.4	39.6	27.4	8.2	19.0	41.0	25
			14					10.0		24.6		38.6					
HVF 03-08	R 3/8	10	17	17.5	19.3	21.2	40.5	10.0	20.2	23.0	14.5	39.5	31.0	10.9	24.0	58.0	20
			17					11.0		24.0		40.5					
HVF 02-10	R 1/4	10	21	17.5	19.3	21.2	40.5	14.0	20.2	27.0	14.5	43.5	31.0	10.9	24.0	82.0	20
			17					11.0		24.0		40.5					
HVF 03-10	R 3/8	12	19	20.5	19.3	21.2	40.5	10.0	22.9	24.6	17.6	41.1	34.1	10.9	24.0	69.0	20
			19					11.0		25.6		42.1					
HVF 02-12	R 3/8	12	21	20.5	19.3	21.2	40.5	14.0	22.9	28.6	17.6	45.1	34.1	10.9	24.0	68.0	20
			19					11.0		25.6		42.1					
HVF 03-12	R 1/2	12	21	20.5	19.3	21.2	40.5	14.0	22.9	28.6	17.6	45.1	34.1	10.9	24.0	76.0	20
			19					11.0		25.6		42.1					
HVF 04-12	R 1/2	12	21	20.5	19.3	21.2	40.5	14.0	22.9	28.6	17.6	45.1	34.1	10.9	24.0	76.0	20
			19					11.0		25.6		42.1					

HVF-G



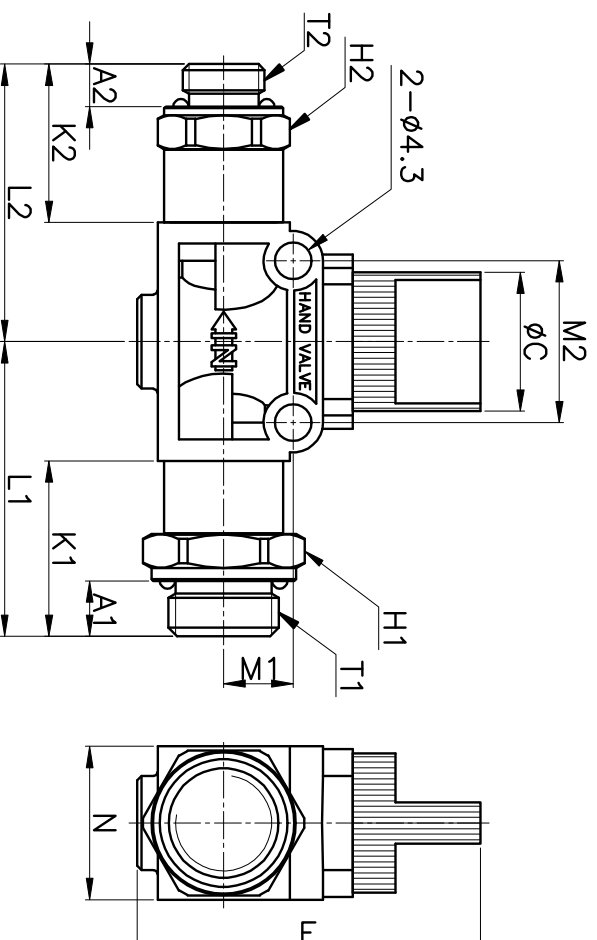
MODEL	T	ØD	H ^H (Hex)	ØP	ØC	N	E	A	B	K1	K2	L1	L2	M1	M2	WEIGHT (g)	BOX(EA)	
HVF G01-06	G 1/8	6	14	12.5	16.3	18.0	40.3	5.0	16.4	18.6	12.2	32.6	26.2	8.2	19.0	37.0	25	
HVF G02-06	G 1/4		17					6.5		20.6		34.6						37.0
HVF G03-06	G 3/8	8	20	14.8	16.3	18.0	40.3	6.5	18.3	20.1	13.4	34.1	27.4	8.2	19.0	47.0	25	
HVF G01-08	G 1/8		14					5.0		18.6		32.6						35.0
HVF G02-08	G 1/4		17					6.5		20.6		34.6						41.0
HVF G03-08	G 3/8	10	20	17.5	19.3	21.2	40.5	6.5	20.2	20.1	14.5	34.1	31.0	10.9	24.0	48.0	25	
HVF G02-10	G 1/4		17					6.5		19.0		35.5						58.0
HVF G03-10	G 3/8		20					6.5		20.6		34.6						61.0
HVF G04-10	G 1/2		24					8.0		20.0		36.5						82.0
HVF G02-12	G 1/4	12	19	20.5	19.3	21.2	40.5	6.5	22.9	20.6	17.6	37.1	34.1	10.9	24.0	69.0	20	
HVF G03-12	G 3/8		20					6.5		20.1		36.6						68.0
HVF G04-12	G 1/2		24					8.0		21.6		38.1						76.0

HVM



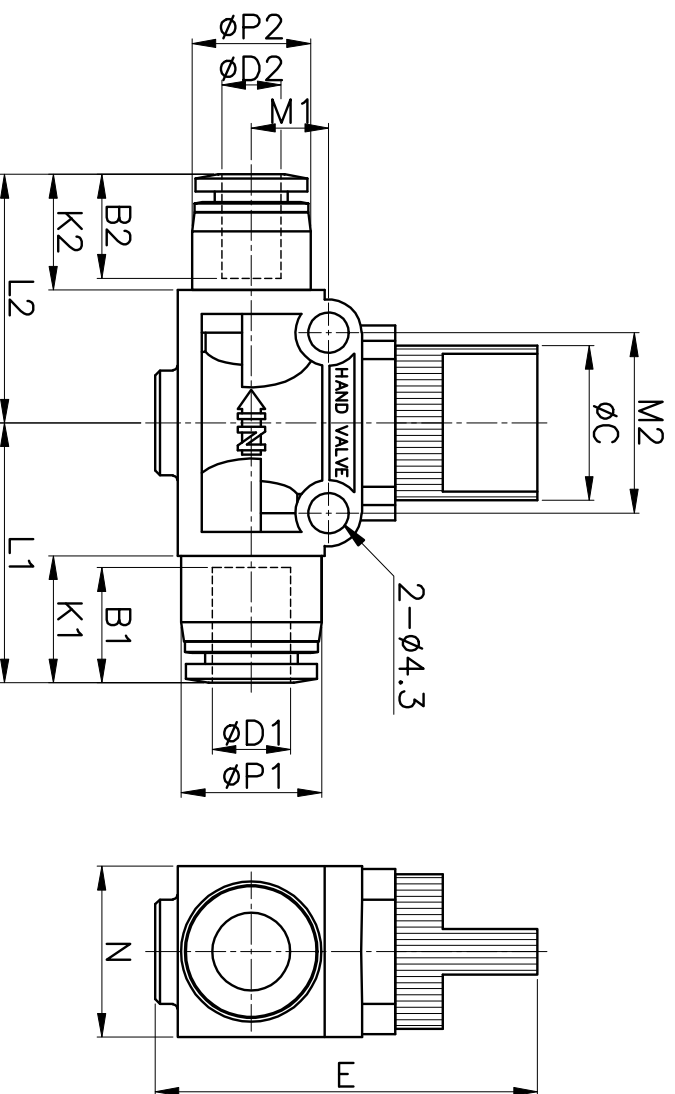
MODEL	T1	T2	H1 (Hex)	H2 (Hex)	ϕC	N	E	A1	A2	K1	K2	L1	L2	M1	M2	WEIGHT (g)	BOX(EA)
HVM 01-01	R 1/8	R 1/8	14	14	16.3	18.0	40.3	8.0	8.0	21.6	21.6	35.6	35.6	8.2	19.0	47.0	25
HVM 02-01	R 1/4	R 1/8	14	14	16.3	18.0	40.3	10.0	8.0	24.6	21.6	38.6	35.6	8.2	19.0	49.0	25
HVM 02-02		R 1/4							14		38.6		38.6				
HVM 03-02	R 3/8	R 1/4	17	17	19.3	21.2	40.5	11.0	10.0	24.0	24.6	40.5	38.6	10.9	24.0	64.0	20
HVM 03-03		R 3/8							17		24.0		40.5				
HVM 04-03	R 1/2	R 3/8	21	19	19.3	21.2	40.5	14.0	11.0	28.6	24.0	45.1	40.5	10.9	24.0	103.0	15
HVM 04-04		R 1/2							21		28.6		45.1				

HVM-G



MODEL	T1	T2	H1 (Hex)	H2 (Hex)	φC	N	E	A1	A2	K1	K2	L1	L2	M1	M2	WEIGHT (g)	BOX(EA)
HVM G01-G01	G 1/8	G 1/8	14	14	16.3	18.0	40.3	5.0	5.0	18.6	18.6	32.6	32.6	8.2	19.0	47.0	25
		G 1/8															
HVM G02-G01	G 1/4	G 1/4	17	17	16.3	18.0	40.3	6.5	6.5	20.6	20.6	34.6	34.6	8.2	19.0	50.0	25
		G 1/4															
HVM G03-G02	G 3/8	G 1/4	20	17	19.3	21.2	40.5	6.5	6.5	18.5	20.6	35.0	34.6	10.9	24.0	64.0	15
		G 3/8															
HVM G03-G03	G 3/8	G 3/8	20	20	19.3	21.2	40.5	6.5	6.5	18.5	18.5	38.1	35.0	10.9	24.0	83.0	15
		G 3/8															
HVM G04-G03	G 1/2	G 3/8	24	20	19.3	21.2	40.5	8.0	6.5	21.6	21.6	38.1	38.1	10.9	24.0	103.0	15
		G 1/2															
HVM G04-G04	G 1/2	G 1/2	24	24	19.3	21.2	40.5	8.0	8.0	21.6	21.6	38.1	38.1	10.9	24.0	121.0	15
		G 1/2															

HVU



MODEL	$\phi D1$	$\phi D2$	$\phi P1$	$\phi P2$	ϕC	N	E	B1	B2	K1	K2	L1	L2	M1	M2	WEIGHT (g)	BOX(EA)
HVU 06-06	6	6	12.5	12.5	16.3	18.0	40.3	16.4	16.4	12.2	12.2	26.2	26.2	8.2	19.0	27.0	25
HVU 08-06	8	6	14.8	12.5	16.3	18.0	40.3	18.3	16.4	13.4	12.2	27.4	26.2	8.2	19.0	27.0	25
HVU 08-08		8		14.8					18.3		13.4		13.4			27.4	
HVU 10-08	10	8	17.5	14.8	19.3	21.2	40.5	20.2	18.3	14.5	13.4	31.0	27.4	10.9	24.0	41.0	20
HVU 10-10		10		17.5					20.2		14.5		31.0			42.0	
HVU 12-10	12	10	20.5	17.5	19.3	21.2	40.5	22.9	20.2	17.6	14.5	34.1	31.0	10.9	24.0	45.0	20
HVU 12-12		12		20.5					22.9		17.6		34.1			47.0	