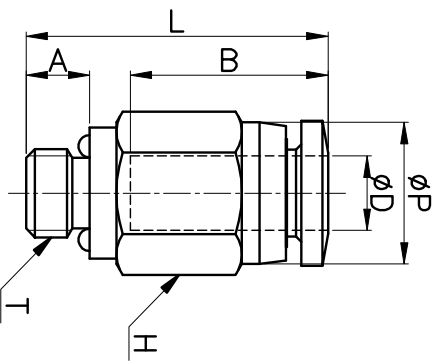
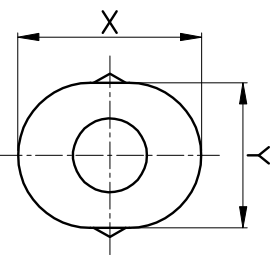
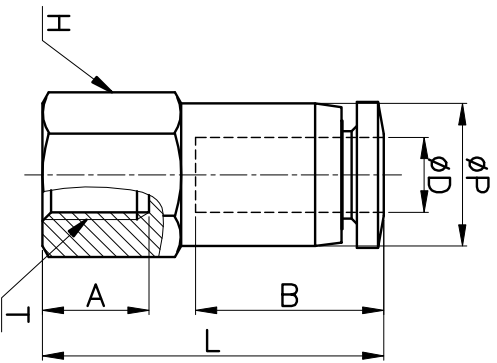
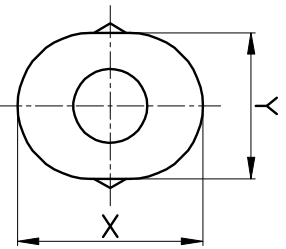


PC-C



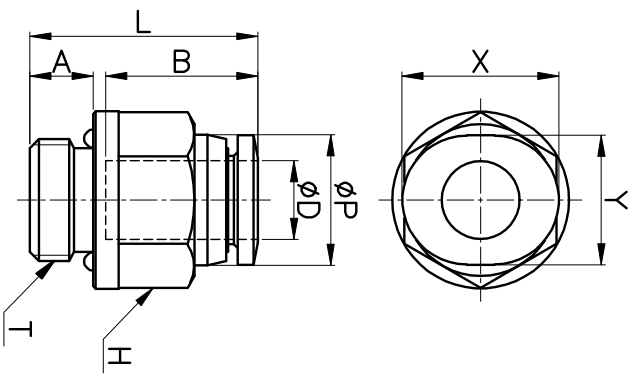
MODEL	ϕD	ϕP	T	L	A	B	H (Hex)	X	Y	ORIFICE	WEIGHT (g)	BOX(EA)			
PC 03-M3C		7.0	M3*0.5p	16.1	3.0		7			1.5	3.0	100			
			M5*0.8p	16.3	3.6		8								
PC 03-M5C	3	7.2	M6*1.0p	16.7	4.1	11.2	8	9.2	7.2	2.0	4.0	100			
PC 03-01C			R 1/8	16.9	8.0		10						5.0	100	
PC 04-M3C			M3*0.5p	16.8	3.0		8							1.5	4.0
PC 04-M5C	M5*0.8p	17.1	3.6	8	2.5	4.0	100								
PC 04-M6C	4	8.0	M6*1.0p	17.7	4.1	11.7	8	10.4	8.2	3.0	4.0	100			
PC 04-01C			R 1/8	16.7	8.0		10						6.0	100	
PC 06-M5C	6	10.0	M5*0.8p	18.6	3.6	12.7	10	12.4	10.2	2.5	5.0	100			
PC 06-M6C			M6*1.0p	18.9	4.1		10						3.0	6.0	100
PC 06-01C			R 1/8	18.9	8.0		10						5.0	7.0	100

PCF-C



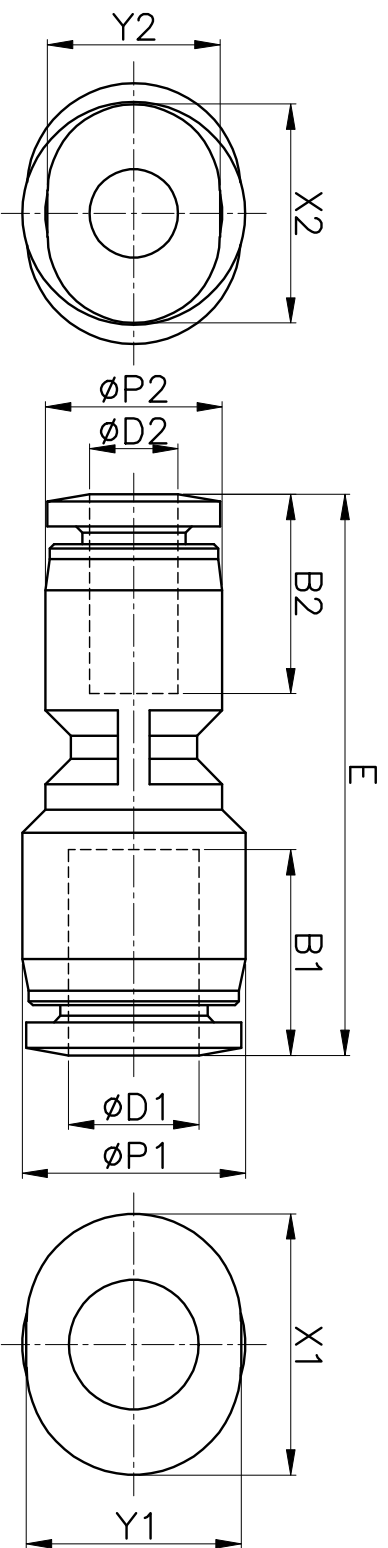
MODEL	ØD	ØP	T	L	A	B	H ^H (Hex)	X	Y	ORIFICE	WEIGHT (g)	BOX(EA)
PCF 03-M3C	3	7.5	M3*0.5p	16.2	4.0	11.2	8	9.2	7.2	2.5	2.0	100
			M5*0.8p	18.7	6.0		8				2.0	100
PCF 03-M6C	4	8.0	M6*1.0p	18.7	6.0	11.7	8	10.4	8.2	3.0	4.0	100
PCF 04-M3C			M3*0.5p	17.7	4.0		8				3.0	100
PCF 04-M5C			M5*0.8p	19.2	6.0		8				4.0	100
PCF 04-M6C			M6*1.0p	19.2	6.0		8				4.0	100
PCF 04-01C	6	10.0	Rc 1/8	22.7	8.5	12.7	12	12.4	10.2	4.0	5.0	100
PCF 06-M5C			M5*0.8p	19.7	6.0		10				5.0	100
PCF 06-M6C			M6*1.0p	19.7	6.0		10				5.0	100
PCF 06-01C			Rc 1/8	23.7	8.5		12				6.0	100

PC-G-C



MODEL	øD	øP	T	L	A	B	H ^H (Hex)	X	Y	ORIFICE	WEIGHT (g)	BOX(EA)
PC 04-G01C	4	8.25	G 1/8	17.4	5.0	11.7	12	10.4	8.2	3.0	8.0	100
PC 06-G01C	6	10.3	G 1/8	17.9	5.0	12.7	12	12.4	10.2	5.0	9.0	100

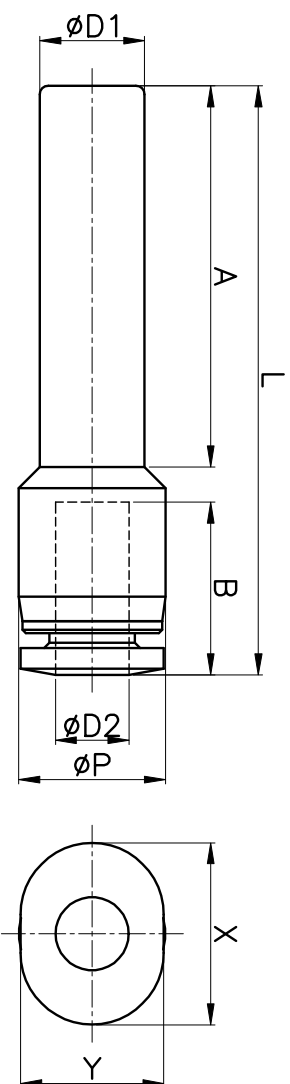
PG-C



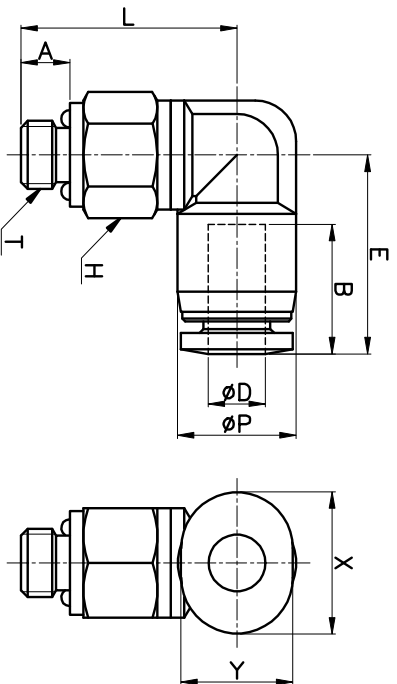
MODEL	ØD1	ØD2	ØP1	ØP2	E	B1	B2	X1	Y1	X2	Y2	ORIFICE	WEIGHT (g)	BOX(EA)
PG 04-03C	4	3	8.4	7.5	24.1	11.8	11.3	10.4	8.2	9.2	7.2	2.4	3.0	100
PG 06-03C	6	3	10.6	7.5	26.1	12.8	11.3	12.4	10.2	9.2	7.2	2.5	3.0	100
PG 06-04C	6	4	10.6	8.4	26.6	12.8	11.8	12.4	10.2	10.4	8.2	3.0	3.0	100

PGJ-C

MODEL	ØD1	ØD2	ØP	L	A	B	X	Y	ORIFICE	WEIGHT (g)	BOX(EA)
PGJ 04-03C	4	3	7.6	30.4	18.0	11.3	9.2	7.2	2.4	1.0	100
PGJ 06-03C	6	3	7.6	32.0	21.6	11.3	9.2	7.2	2.4	2.0	100
PGJ 06-04C	6	4	8.4	33.7	21.8	11.8	10.4	8.2	3.0	3.0	100

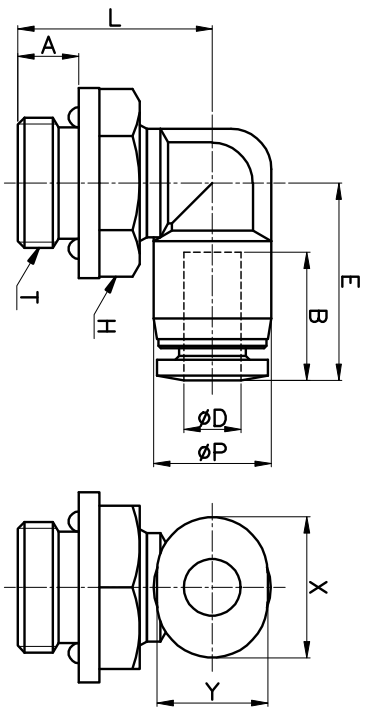


PL-C



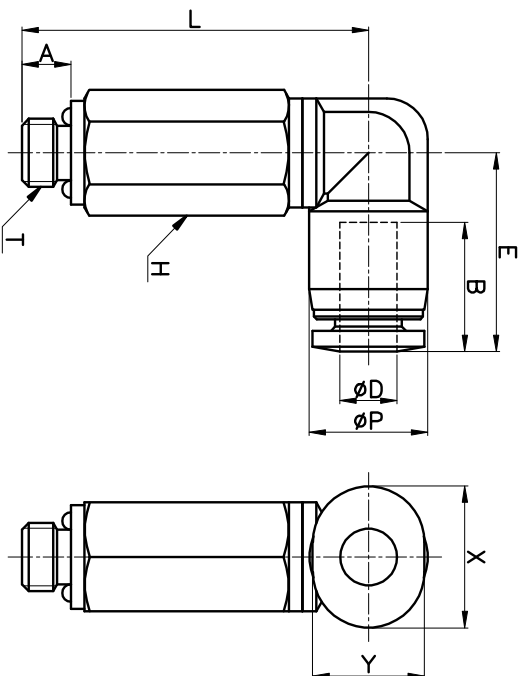
MODEL	∅D	∅P	T	L	E	A	B	H (Hex)	X	Y	ORIFICE	WEIGHT (g)	BOX(EA)
PL 03-M3C	3	7.6	M3*0.5p	14.7	13.5	3.0	11.3	8	9.2	7.2	1.5	4.0	100
PL 03-M5C			M5*0.8p	15.3		3.6		8			2.5	4.0	100
PL 03-M6C			M6*1.0p	15.8		4.1		8			4.0	100	
PL 04-M3C	4	8.7	M3*0.5p	15.3	14.6	3.0	11.8	8	10.4	8.2	1.5	4.0	100
PL 04-M5C			M5*0.8p	15.9		3.6		8			2.5	4.0	100
PL 04-M6C			M6*1.0p	16.4		4.1		8			4.0	100	
PL 04-01C			R 1/8	16.4		8.0		10			3.0	7.0	100
PL 06-M5C	6	10.8	M5*0.8p	16.9	15.5	3.6	12.8	8	12.4	10.2	2.5	4.0	100
PL 06-M6C			M6*1.0p	17.4		4.1		8			5.0	100	
PL 06-01C			R 1/8	17.4		8.0		10			3.0	7.0	100

PL-G-C



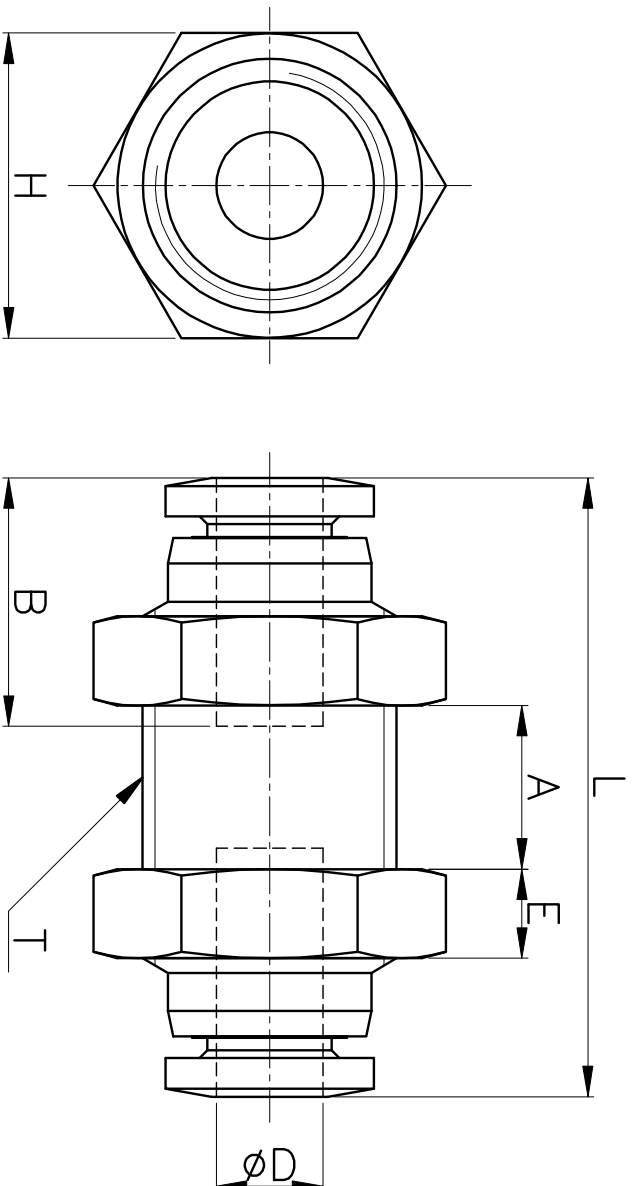
MODEL	ØD	ØP	T	L	E	A	B	H (Hex)	X	Y	ORIFICE	WEIGHT (g)	BOX(EA)
PL 04-G01C	4	8.7	G 1/8	14.4	14.6	4.5	11.8	14	10.4	8.2	3.0	7.0	100
PL 06-G01C	6	10.8	G 1/8	15.4	15.5	4.5	12.9	14	12.4	10.2		6.0	100

PLL-C



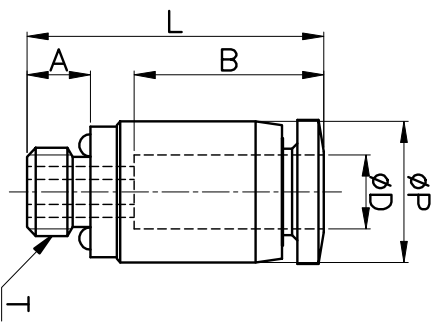
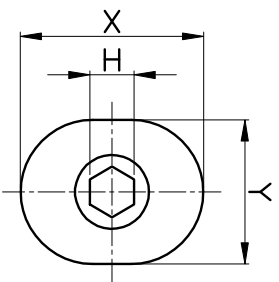
MODEL	∅D	∅P	T	L	E	A	B	H (Hex)	X	Y	ORIFICE	WEIGHT (g)	BOX(EA)
PLL 03-M3C	3	7.6	M3*0.5p	21.8	13.5	3.0	11.3	8	9.2	7.2	1.5	6.0	100
PLL 03-M5C			M5*0.8p	23.9		3.6		8			7.0	100	
PLL 03-M6C			M6*1.0p	24.4		4.1		8			7.0	100	
PLL 04-M3C	4	8.7	M3*0.5p	24.9	14.6	3.0	11.8	8	10.4	8.2	1.5	8.0	100
PLL 04-M5C			M5*0.8p	25.5		3.6		8			8.0	100	
PLL 04-M6C			M6*1.0p	26.0		4.1		8			8.0	100	
PLL 04-01C			R 1/8	29.4		8.0	10				3.0	13.0	100
PLL 06-M5C	6	10.8	M5*0.8p	28.4	15.5	3.6	12.8	8	12.4	10.2	2.5	9.0	100
PLL 06-M6C			M6*1.0p	28.9		4.1		8			9.0	100	
PLL 06-01C			R 1/8	32.4		8.0		10			3.0	14.0	100

PMM-C



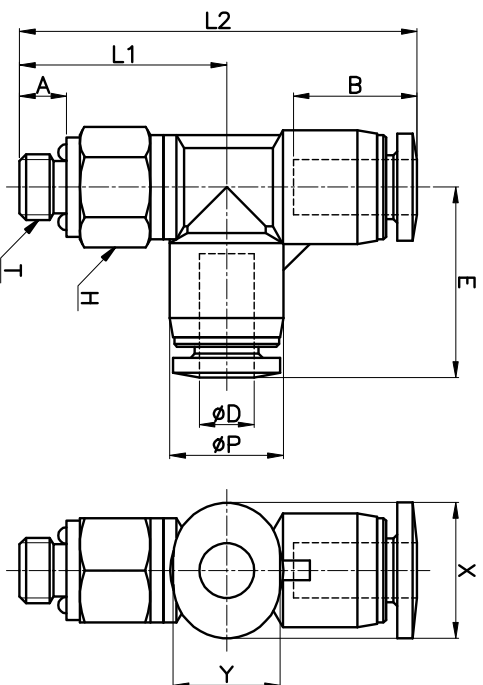
MODEL	øD	T	L	E	A	B	H ^H (Hex)	ORIFICE	WEIGHT (g)	BOX(EA)
PMM 03C	3	M8*0.75p	23.4	3.0	7.1	11.2	10	2.0	6.0	100
PMM 04C	4	M10*1.0p	24.3	3.5	6.5	11.7	12	3.0	10.0	100
PMM 06C	6	M12*1.0p	26.9	4.0	8.0	12.7	14	5.0	14.0	100

POC-C



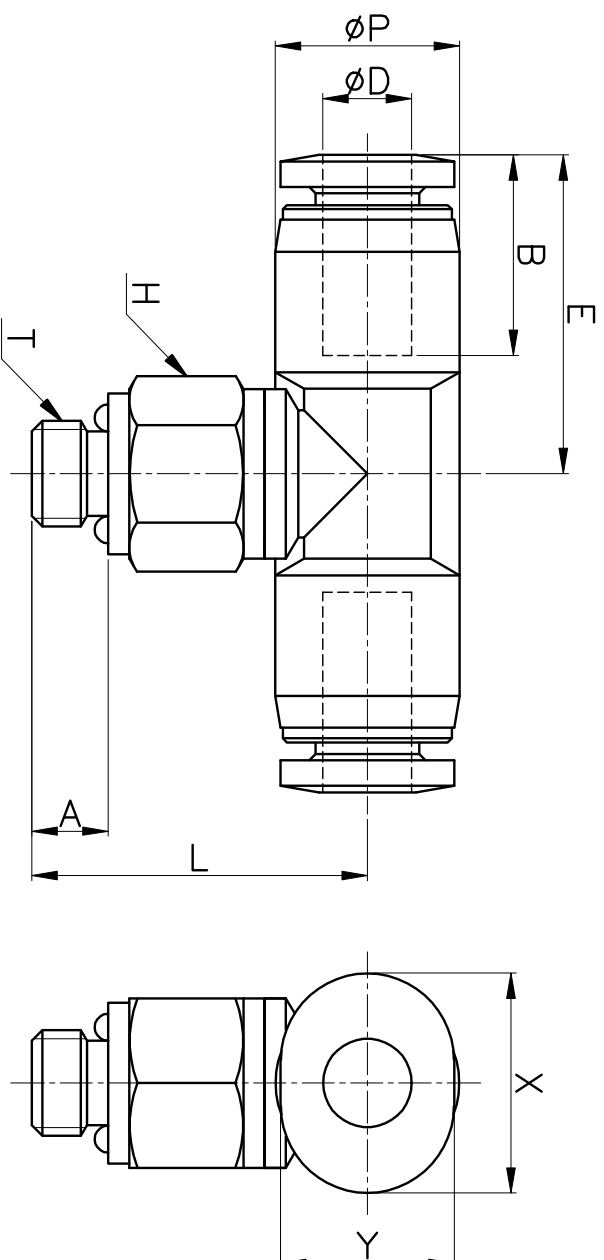
MODEL	ØD	ØP	T	L	A	B	H ^H (Hex)	X	Y	ORIFICE	WEIGHT (g)	BOX(EA)
POC 03-M3C	3	7.0	M3*0.5p	16.1	3.0	11.2	1.5	9.2	7.2	1.5	2.0	100
POC 03-M5C			M5*0.8p	16.3	3.6		2.0			2.0	2.0	100
POC 03-M6C	4	8.0	M6*1.0p	16.7	4.1	11.7	2.0	10.4	8.2	2.0	4.0	100
POC 04-M3C			M3*0.5p	16.8	3.0		1.5			1.5	3.0	100
POC 04-M5C			M5*0.8p	16.9	3.6		2.5			2.5	4.0	100
POC 04-M6C			M6*1.0p	17.2	4.1		3.0			3.0	4.0	100
POC 04-01C	6	10.0	R 1/8	15.7	8.0	12.7	3.0	12.4	10.2	3.0	5.0	100
POC 06-M5C			M5*0.8p	18.6	3.6		2.5			2.5	5.0	100
POC 06-M6C			M6*1.0p	18.6	4.1		3.0			3.0	5.0	100
POC 06-01C	6	10.0	R 1/8	18.9	8.0	12.7	4.0	12.4	10.2	4.0	6.0	100
POC 06-01C			R 1/8	18.9	8.0		4.0			6.0	100	

PST-C



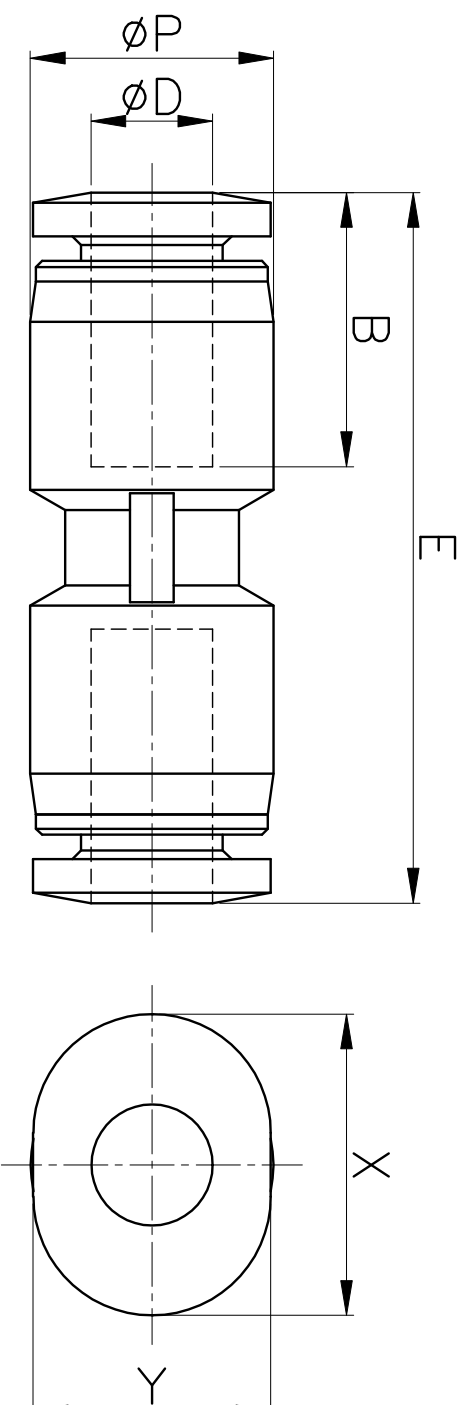
MODEL	øD	øP	T	L1	L2	E	A	B	H ^H (Hex)	X	Y	ORIFICE	WEIGHT (g)	BOX(EA)
PST 03-M3C	3	7.6	M3*0.5p	14.7	28.3	13.6	3.0	11.3	8	9.2	7.2	1.5	4.0	100
PST 03-M5C			M5*0.8p	15.3	28.9		3.6		8			2.5	5.0	100
PST 03-M6C			M6*1.0p	15.8	29.4		4.1		8			5.0	100	
PST 04-M3C	4	8.7	M3*0.5p	15.3	29.8	14.6	3.0	11.8	8	10.4	8.2	1.5	5.0	100
PST 04-M5C			M5*0.8p	15.9	30.4		3.6		8			2.5	6.0	100
PST 04-M6C			M6*1.0p	16.4	30.9		4.1		8			3.0	6.0	100
PST 04-01C			R 1/8	16.4	30.9		8.0		10			3.0	9.0	100
PST 06-M5C	6	10.8	M5*0.8p	16.9	33.4	16.5	3.6	12.8	8	12.4	10.2	2.5	7.0	100
PST 06-M6C			M6*1.0p	17.4	33.9		4.1		8			3.0	7.0	100
PST 06-01C			R 1/8	17.4	33.9		8.0		10			3.0	10.0	100

PT-C



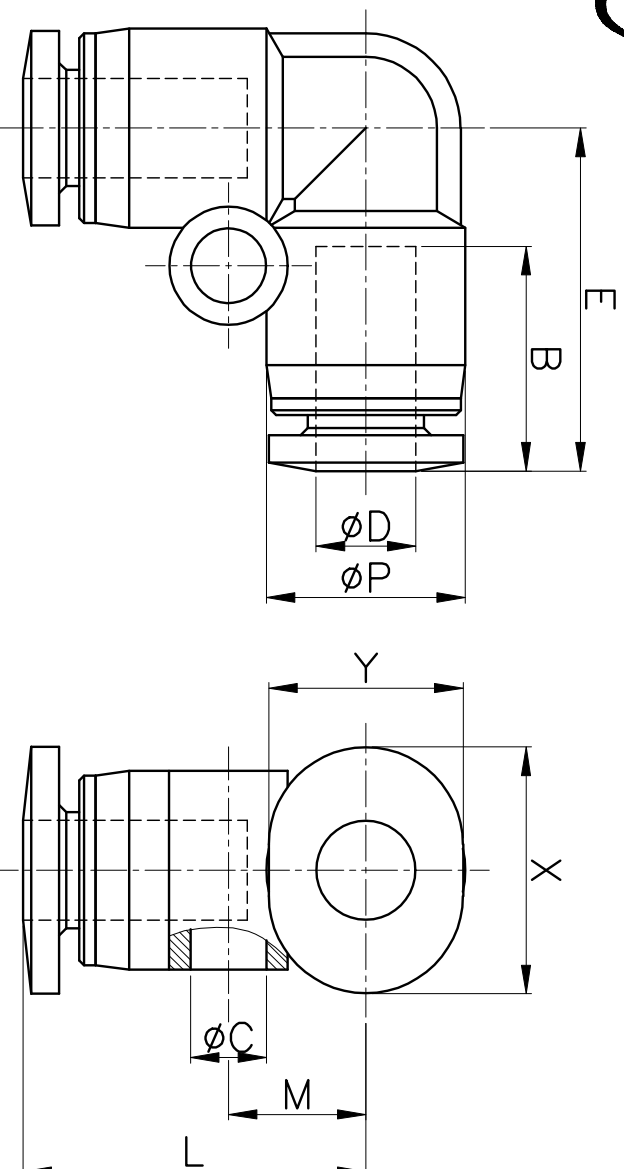
MODEL	∅D	∅P	T	L	E	A	B	H (Hex)	X	Y	ORIFICE	WEIGHT (g)	BOX(EA)
PT 03-M3C	3	7.6	M3*0.5p	14.7	14.5	3.0	11.3	8	9.2	7.2	1.5	4.0	100
			M5*0.8p	15.3		3.6		8				5.0	
			M6*1.0p	15.8		4.1		8				5.0	
PT 04-M3C	4	8.7	M3*0.5p	15.3	15.1	3.0	11.8	8	10.4	8.2	1.5	5.0	100
			M5*0.8p	15.9		3.6		8				5.0	
			M6*1.0p	16.4		4.1		8				6.0	
PT 04-M6C	4	8.7	M6*1.0p	16.4	15.1	4.1	11.8	8	10.4	8.2	3.0	6.0	100
			R 1/8	16.4		8.0		10				7.0	
PT 06-M5C	6	10.8	M5*0.8p	16.9	16.0	3.6	12.8	8	12.4	10.2	2.5	7.0	100
PT 06-M6C	6	10.8	M6*1.0p	17.4	16.0	4.1	12.8	8	12.4	10.2	3.0	7.0	100
			R 1/8	17.4		8.0		10				9.0	
PT 06-01C	6	10.8	R 1/8	17.4	16.0	8.0	12.8	10	12.4	10.2	3.0	9.0	100

PUC-C



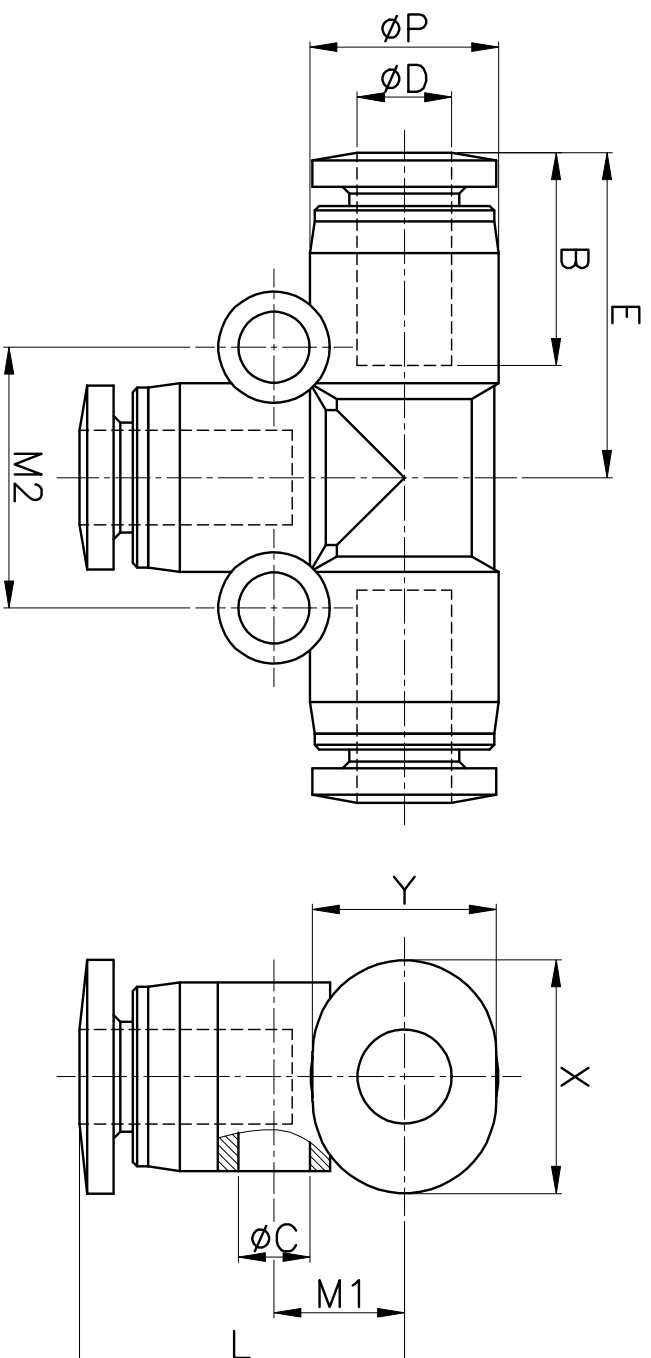
MODEL	ϕD	ϕP	E	B	X	Y	ORIFICE	WEIGHT (g)	BOX(EA)
PUC 03C	3	7.5	23.6	11.3	9.2	7.2	2.4	3.0	100
PUC 04C	4	8.4	24.5	11.8	10.4	8.2	3.0	3.0	100
PUC 06C	6	10.6	26.6	12.8	12.4	10.2	4.0	3.0	100

PUL-C



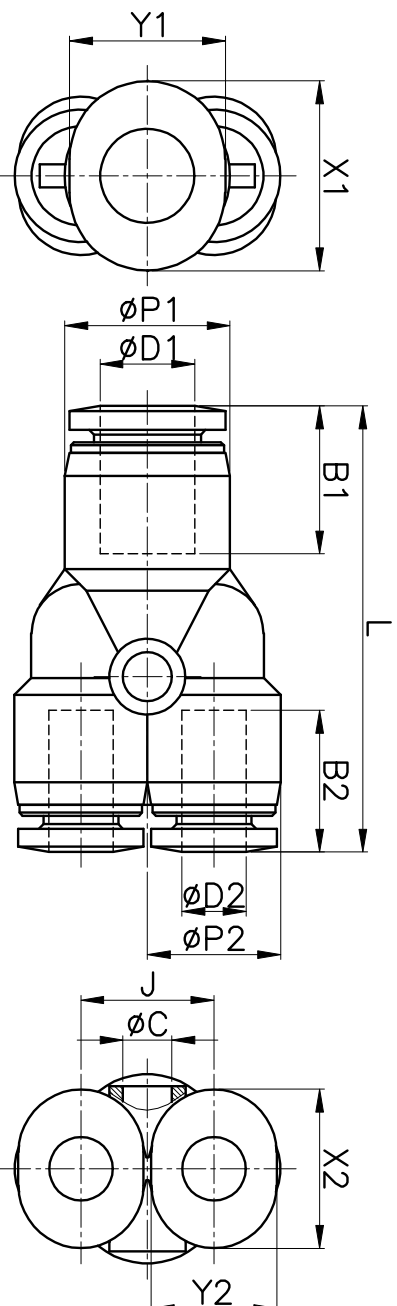
MODEL	ϕD	ϕP	L	E	ϕC	B	M	X	Y	ORIFICE	WEIGHT (g)	BOX(EA)
PUL 03C	3	7.5	13.5	13.5	3.2	11.3	5.4	9.2	7.2	2.4	2.0	100
PUL 04C	4	8.4	14.5	14.5		11.8	5.8	10.4	8.2	3.0	3.0	100
PUL 06C	6	10.6	16.5	16.5	12.8	6.9	12.4	10.2	4.0	4.0	3.0	100

PUT-C



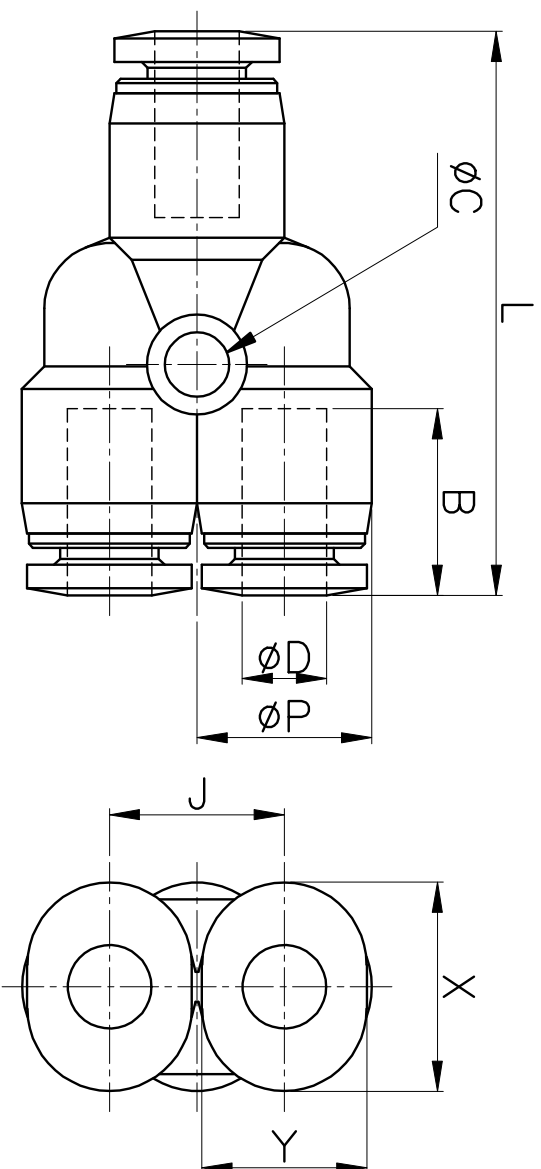
MODEL	ϕD	ϕP	L	E	ϕC	B	M1	M2	X	Y	ORIFICE	WEIGHT (g)	BOX(EA)
PUT 03C	3	7.5	13.5	13.5	3.2	11.3	5.4	10.7	9.2	7.2	2.4	3.0	100
PUT 04C	4	8.4	14.5	14.5		11.8	5.8	11.6	10.4	8.2	3.0	3.0	100
PUT 06C	6	10.6	16.5	16.5		12.8	6.9	13.8	12.4	10.2	4.0	4.0	100

PW-C



MODEL	$\phi D1$	$\phi D2$	$\phi P1$	$\phi P2$	L	J	ϕC	B1	B2	X1	Y1	X2	Y2	ORIFICE	WEIGHT (g)	BOX(EA)
PW 04-03C	4	3	8.7	7.6	27.5	7.6		11.8	11.3	10.4	8.2	9.2	7.2	2.4	3.0	100
PW 06-03C	6	3	10.8	7.6	28.6	7.6	3.2	12.8	11.3	12.4	10.2	9.2	7.2	2.4	4.0	100
PW 06-04C	6	4	10.8	8.7	29.1	8.7		12.8	11.8	12.4	10.2	10.4	8.2	3.0	5.0	100

PY-C



MODEL	ØD	ØP	L	J	ØC	B	X	Y	ORIFICE	WEIGHT (g)	BOX(EA)
PY 03C	3	7.6	26.8	7.6	3.2	11.3	9.2	7.2	2.4	3.0	100
PY 04C	4	8.7	28.0	8.7		11.8	10.4	8.2	3.0	5.0	100
PY 06C	6	10.8	30.6	10.8		12.8	12.4	10.2	4.0	6.0	100